

Service Guide

KEY SYSTEM CORP



Modification Record:

| Version | Date | Modification |
|---------|------------|--------------|
| 1.0 | 2011-10-19 | |
| | | |
| | | |
| | | |
| | | |
| | | |
| | | |
| | | |
| | | |
| | | |
| | | |
| | | |

Contents

Document Version 2

Contents..... 3

Use..... 4

 Use Guide 4

 Safety Caution 4

Chapter 1: How to Dispose Returned Defective Products 5

 1.2 Troubles 6

 1.2.1 No Power and Indicator Lamp Inoperative 7

 1.2.2 No Sound..... 8

 1.2.3 No Sound from Front Left or Right Channel 9

 1.2.4 No Sound from Rear Left or Right Channel 10

 1.2.5 No Sound from Middle Channel 11

 1.2.6 No Bass..... 12

 1.2.7 Noise and Current Noise 13

 1.2.8 Earphone Socket Inoperative..... 14

 1.2.9 Noice Bass Potentiometer 15

 1.2.10 VOL (Volume) Inoperative..... 16

Chapter 2 Product Specifications 17

 2.1 Satellite 17

 2.2 Subwoofer 17

Chapter 3 Block Diagram..... 18

Chapter 4 Rendering after Assembly..... 19-20

 Satellite 19

 Subwoofer 20

Chapter 5 Material List..... 21-22

 Satellite 21

 Subwoofer 22

Chapter 6 Electric Schematic Diagram 23-24

Use

Use Guide

Special Attention: this guide contributes to remember and prevent errors.

Warning: if information does not allow, it is possible to cause the product damaged.

Safety Caution:

This guide requires the cautions given below should be followed during operation of the speaker:

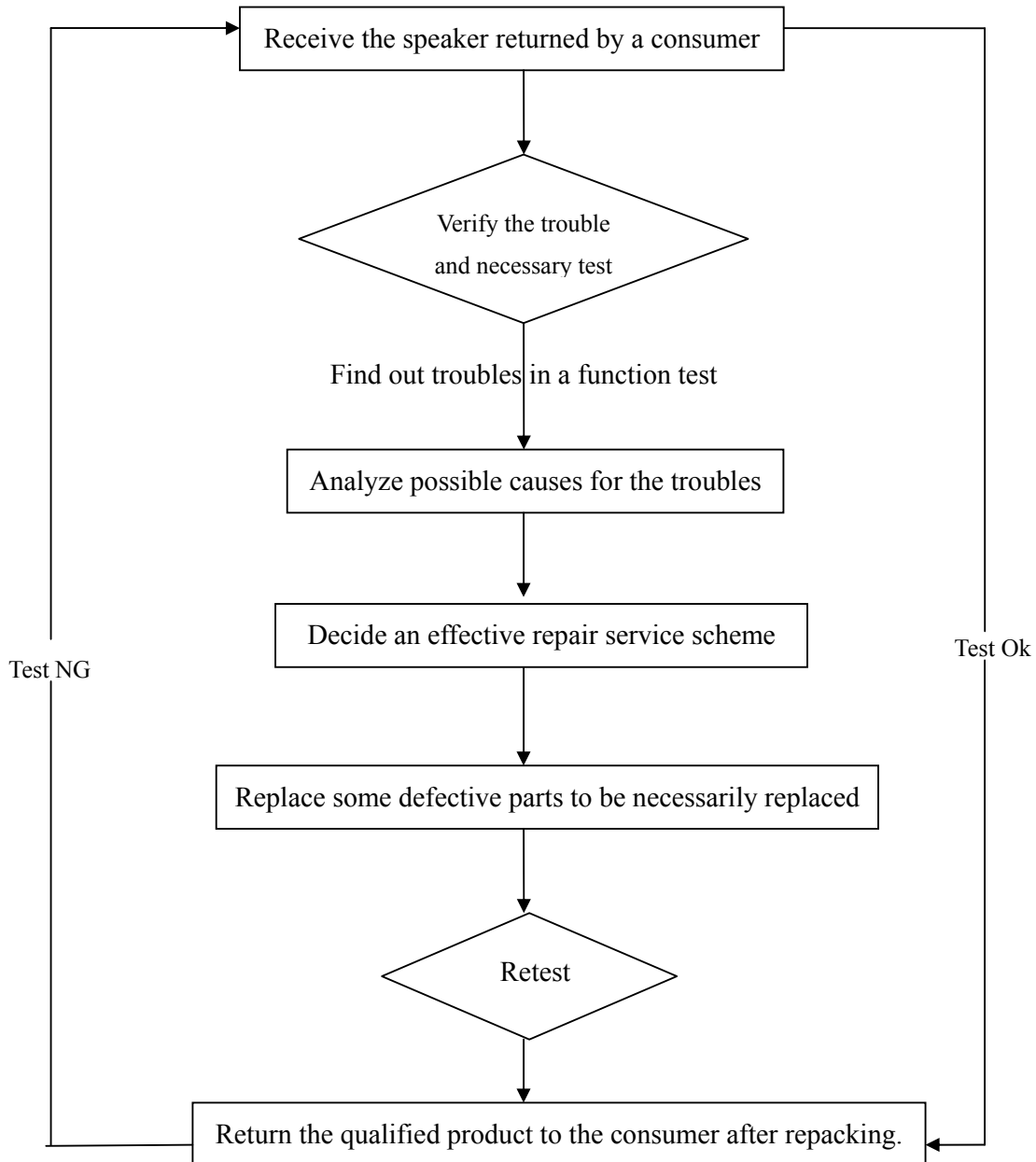
Flatly place the product and don't place the speaker in such hostile environments as smoke, vibration, air containing salt or oil, or other corrosive air or smoke;

Don't knock the speaker

Don't make any item to fall into the subwoofer from the phase guiding barrel; otherwise it is possible to cause electric shock or fire.

Try best to keep away from other electric equipment to provide better heat dissipation;

Prevent such foreign matters as water or other chemical liquids from entering the speaker during maintenance of the speaker.

Chapter 1: How to Dispose Returned Defective Products**1.1 General**

1.2 Troubles

Description of troubles

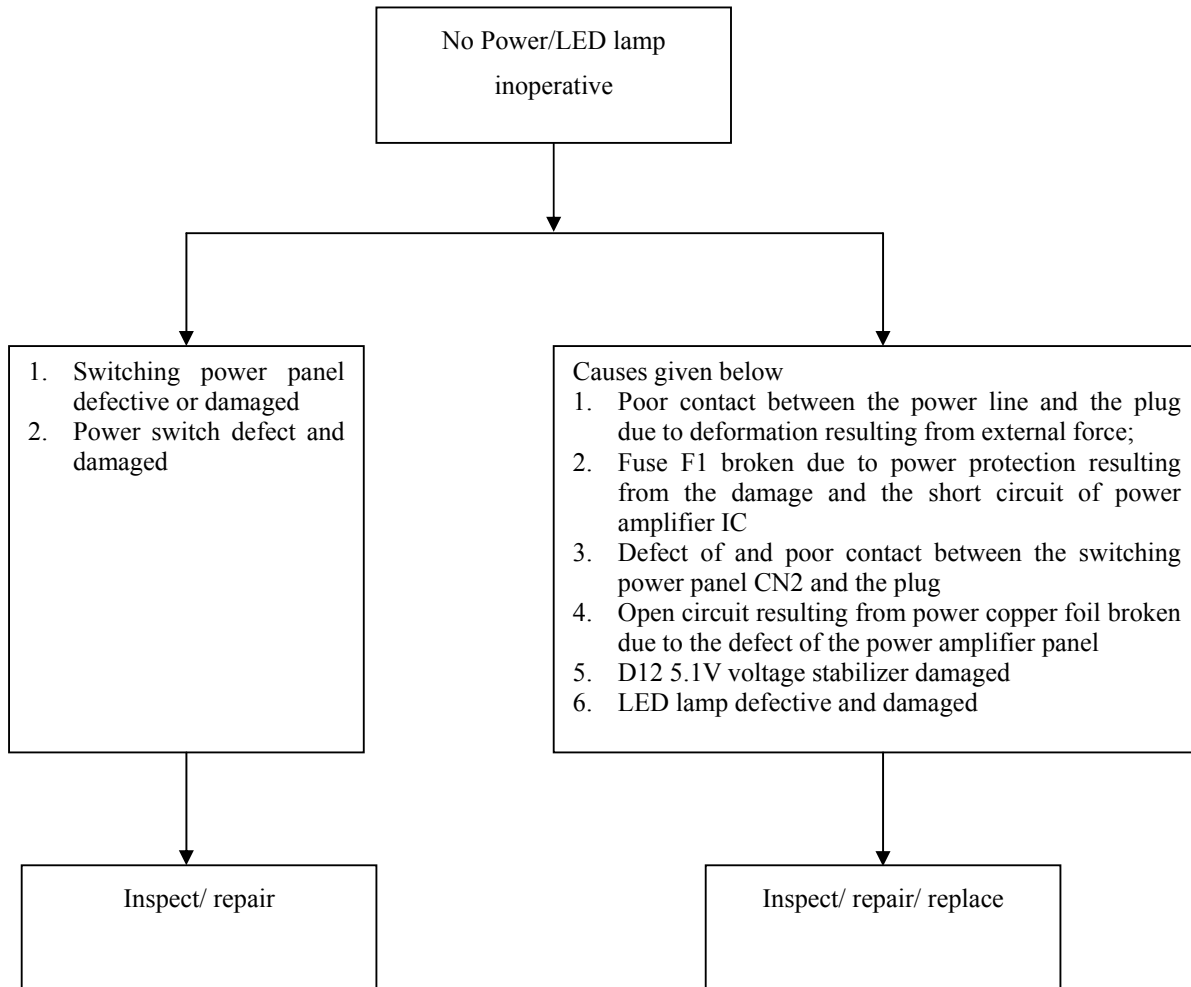
- 1.2.1 No Power and Indicator Lamp Inoperative
- 1.2.2 No Sound
- 1.2.3 No Sound from Front Left or Right Channel
- 1.2.4 No Sound from Rear Left or Right Channel
- 1.2.5 No Sound from Middle Channel
- 1.2.6 No Bass
- 1.2.7 Noise and Current Noise
- 1.2.8 Earphone Socket Inoperative
- 1.2.9 Noise from Bass Potentiometer
- 1.2.10 VOL (Volume) Inoperative

* Note:

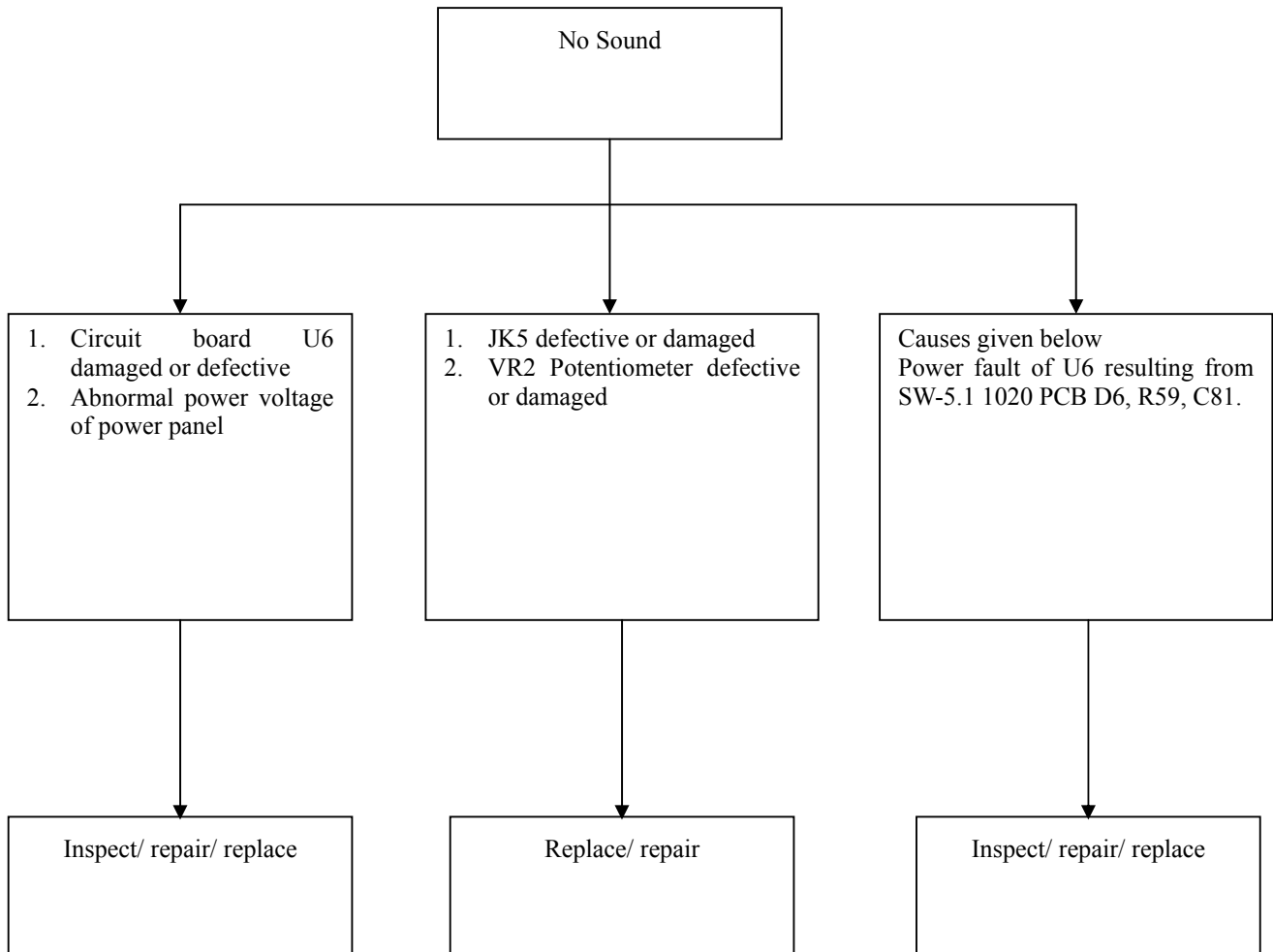
Please follow the sequence of single flow chart.

The flow chart is the optimal sequence recommended for removal of the troubles.

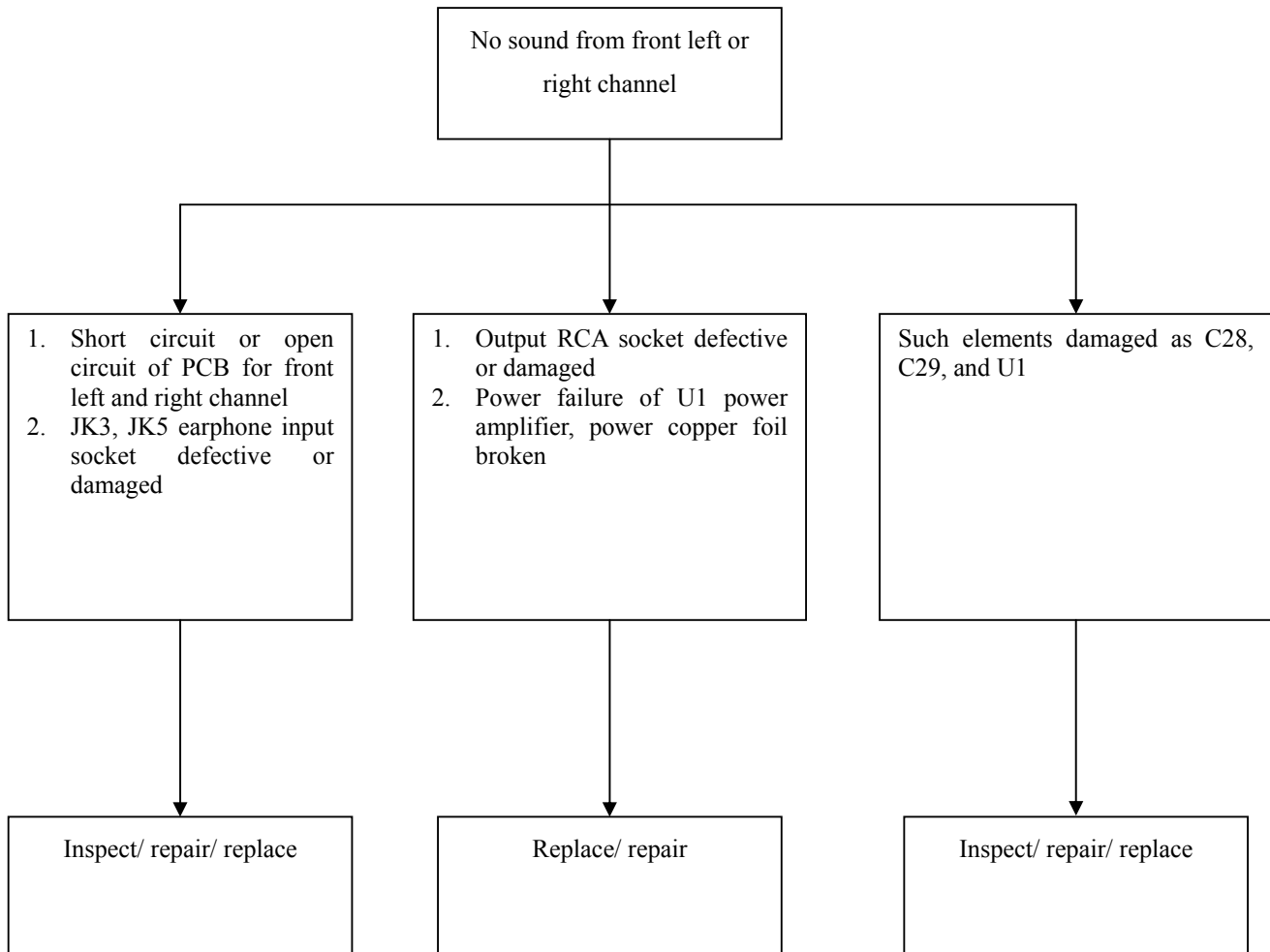
1.2.1 No Power and LED Lamp Inoperative



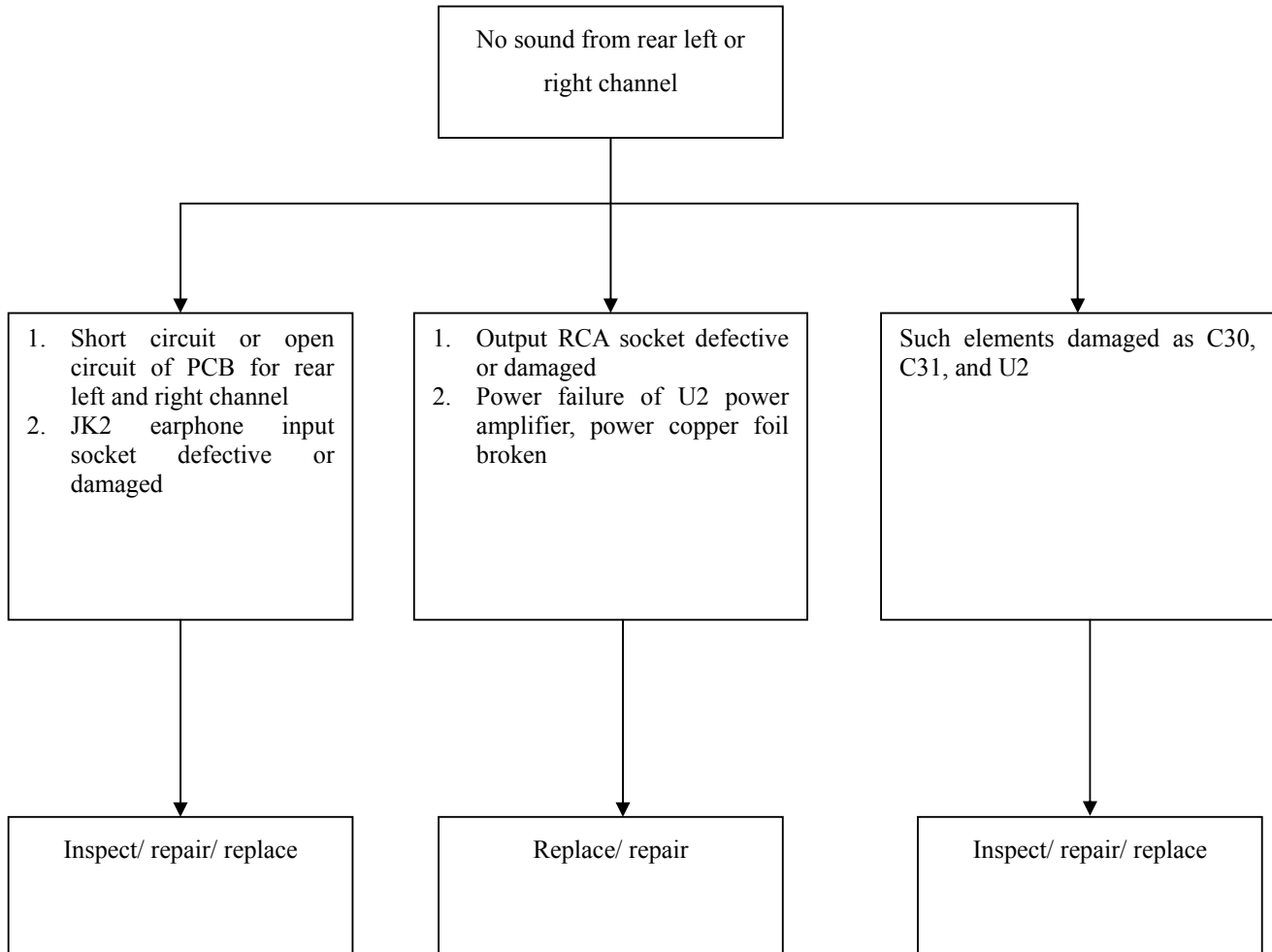
1.2.2 No Sound



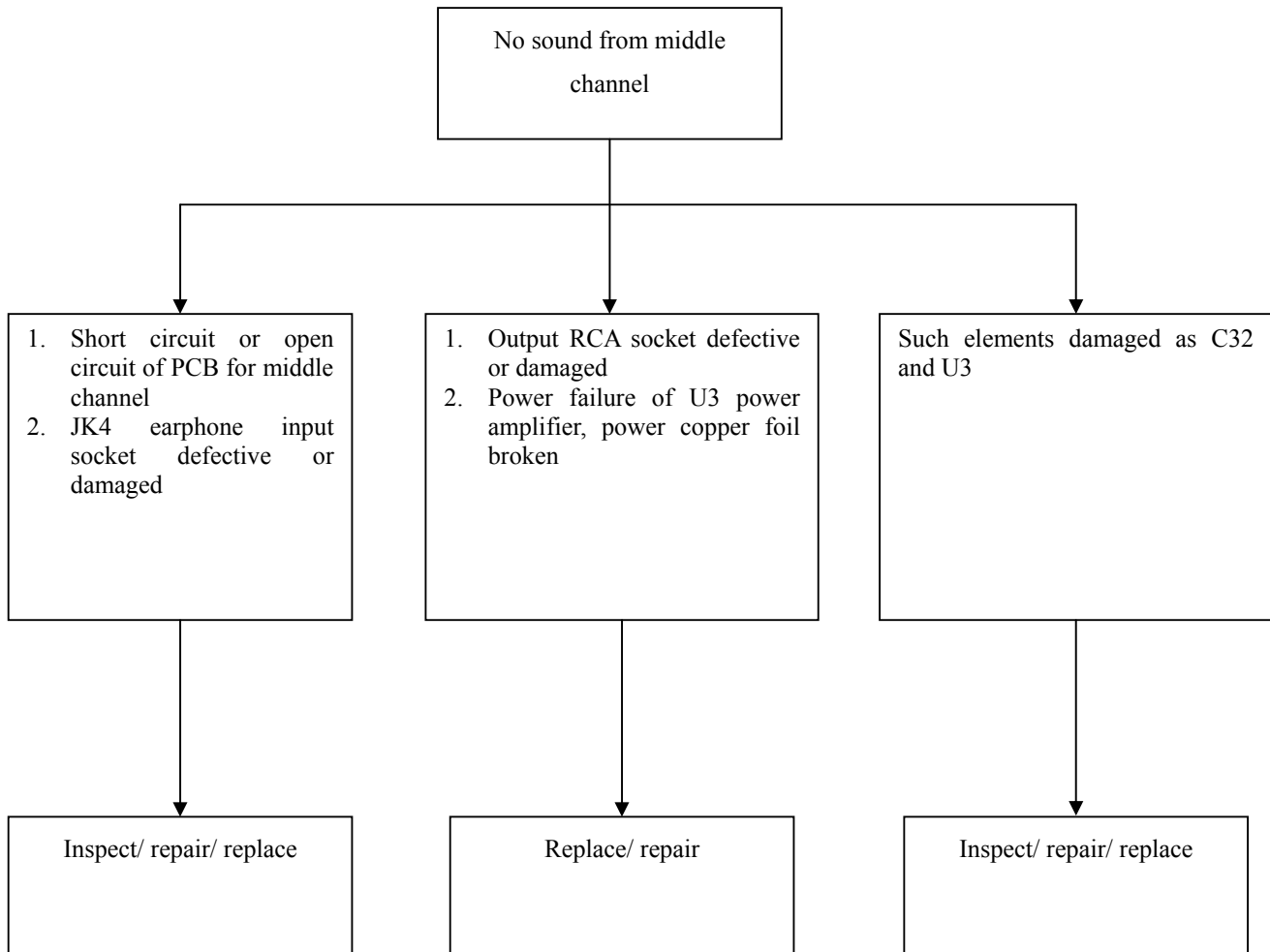
1.2.3 No Sound from Front Left or Right Channel



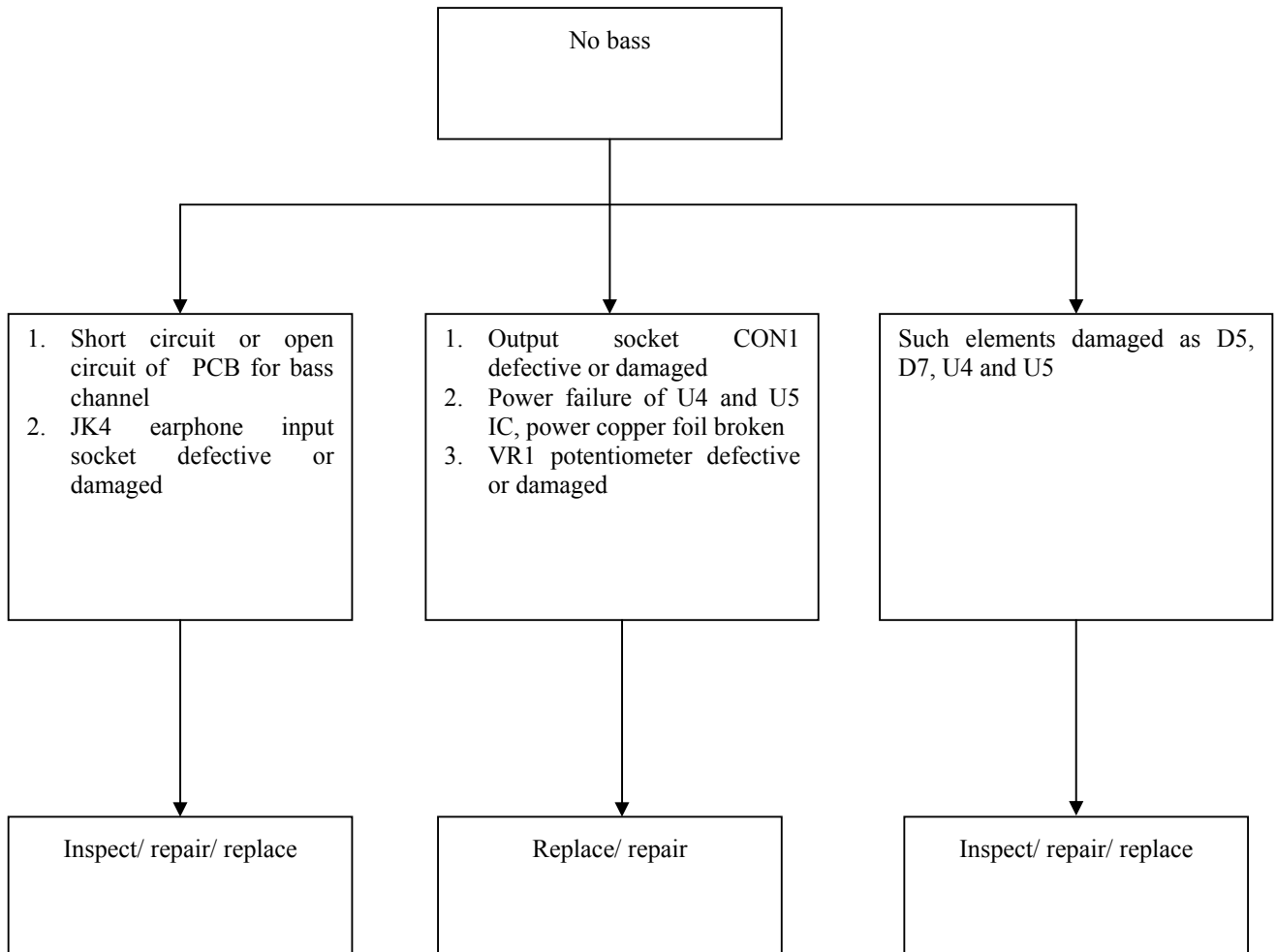
1.2.4 No Sound from Rear Left or Right Channel



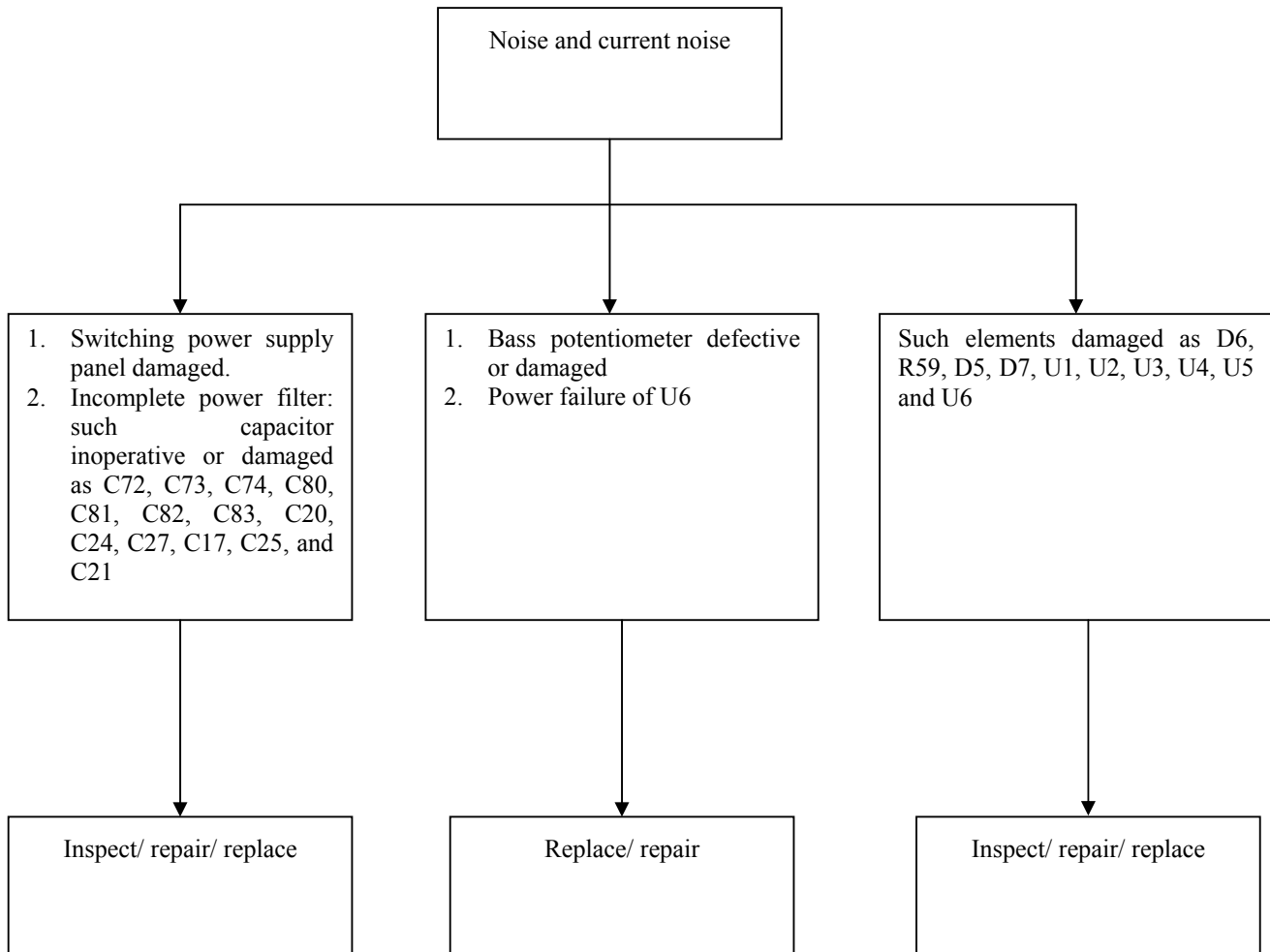
1.2.5 No Sound from Middle Channel



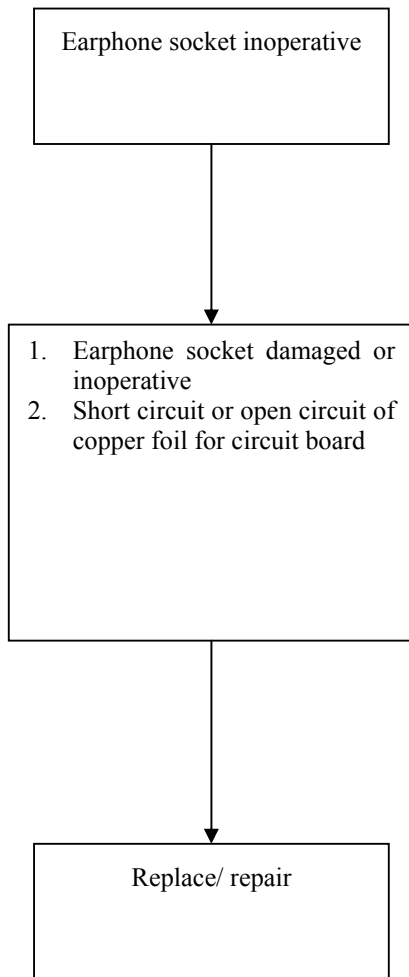
1.2.6 No Bass



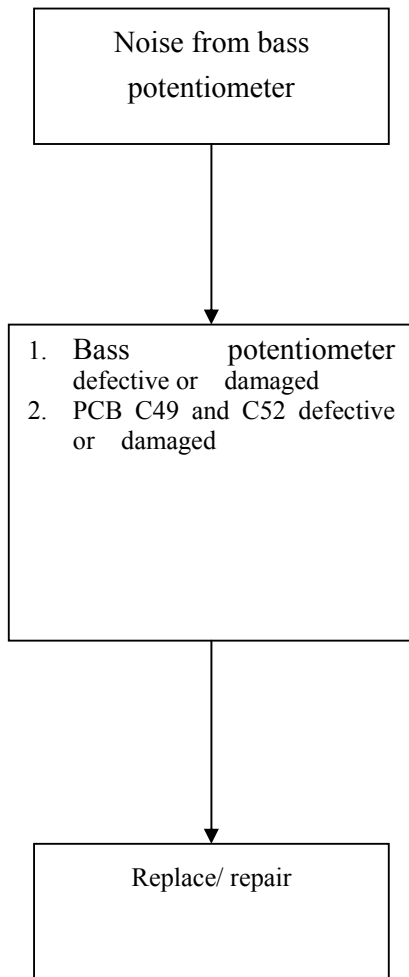
1.2.7 Noise and Current Noise



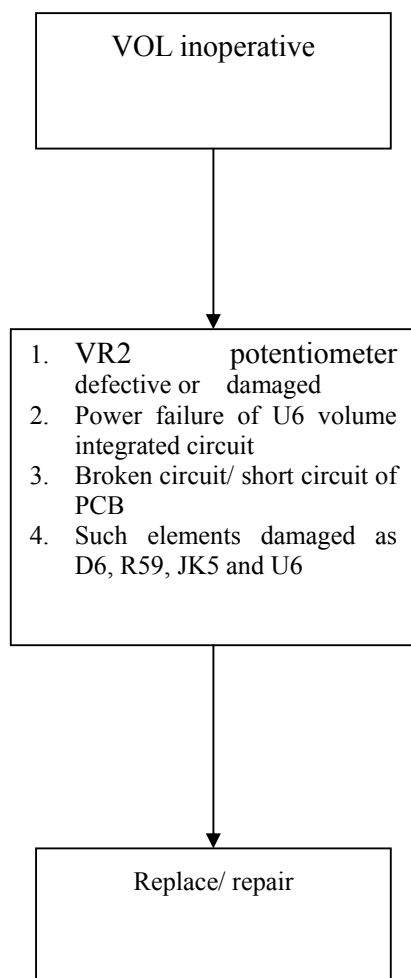
1.2.8 Earphone Socket Inoperative



1.2.9 Noise from Bass Potentiometer



1.2.10 VOL (Volume) Inoperative



Chapter 2 Product Specifications

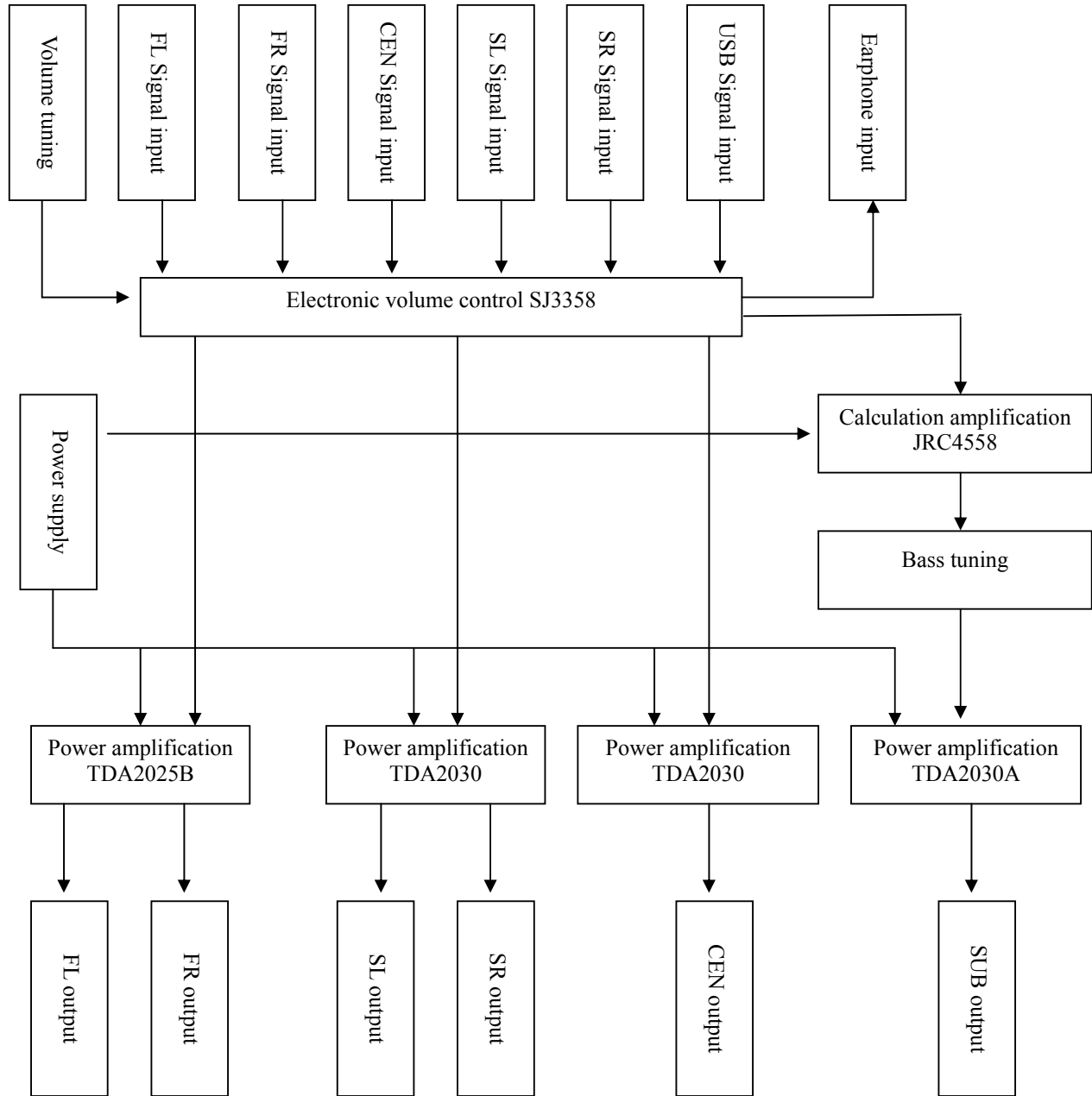
Satellite

| NO | DESCRIPTION | UNIT | Normal | LIMIT |
|----|--|------|--------|--------------|
| | | | CEN | |
| 1 | RATED OUTPUT POWER @THD 10% | W | 2.3 | $\cong 2$ |
| 2 | SENSITIVITY (1KHz) @RATED O/P POWER | m V | 580 | 600 \pm 60 |
| 3 | SENSITIVITY (1KHz) @1W O/P POWER | m V | 330 | 320 \pm 50 |
| 4 | MAX INPUT LEVEL@1% THD | m V | 310 | 320 \pm 40 |
| 5 | DISTOTION@1kHz 1W OUT | % | 0.8 | $\cong 1$ |
| 6 | FREQUENCY RESPONSE(1KHz -3DB) LOW | Hz | 210 | 220 \pm 30 |
| 7 | FREQUENCY RESPONSE(1KHz -3DB) HI | KHz | 110 | 110 \pm 20 |
| 8 | <u>S/N@RATED O/P POWER</u> | d B | 72 | $\cong 70$ |
| 9 | CHANNEL UNBALANCE @REF O/P POWER | d B | 0.4 | $\cong 1$ |
| 10 | CHANNEL SEPARATION(ONE CHANNEL IN; OTHER CHANNEL INPUT SHORTING) | d B | 45 | $\cong 40$ |
| 11 | HUM NOISE (VOLUME MAX; INPUT SHORTING) | m V | 1.5 | $\cong 2$ |
| 12 | HUM NOISE (VOLUME MIN INPUT SHORTING) | m V | 1 | $\cong 1.2$ |

Woofers

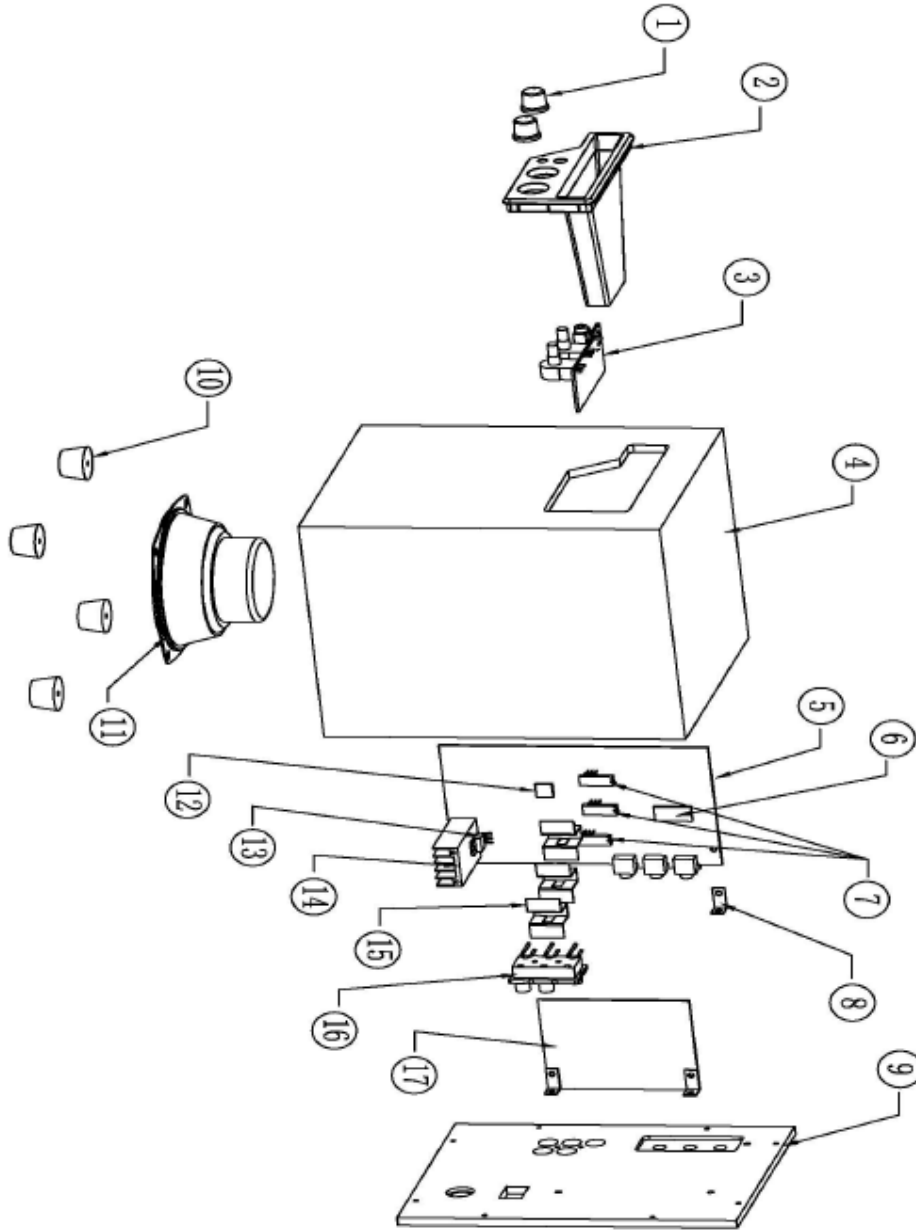
| NO | DESCRIPTION | UNIT | Normal | LIMIT |
|----|--|------|--------|--------------|
| 1 | RATED OUTPUT POWER@100HZ (10%THD) | W | 14.5 | $\cong 14$ |
| 2 | SENSITIVITY (100Hz) @RATED O/P POWER | m V | 140 | 130 \pm 30 |
| 3 | SENSITIVITY (100Hz) @1W O/P POWER | m V | 40 | 40 \pm 20 |
| 4 | MAX INPUT LEVEL@1% THD | m V | 140 | 140 \pm 30 |
| 5 | DISTOTION@100Hz 1W OUT | % | 0.6 | $\cong 1$ |
| 6 | FREQUENCY RESPONSE(100Hz -3DB) LOW | Hz | 20 | 20 \pm 5 |
| 7 | FREQUENCY RESPONSE(100Hz -3DB) HI | Hz | 140 | 140 \pm 30 |
| 8 | S/N RATIO@100HZ RATED O/P POWER | d B | 76 | $\cong 70$ |
| 9 | HUM NOISE (VOLUME MAX; INPUT SHORTING) | m V | 1.5 | $\cong 2$ |
| 10 | HUM NOISE (VOLUME MIN INPUT SHORTING) | m V | 1.2 | $\cong 1.2$ |

Chapter 3 Block Diagram

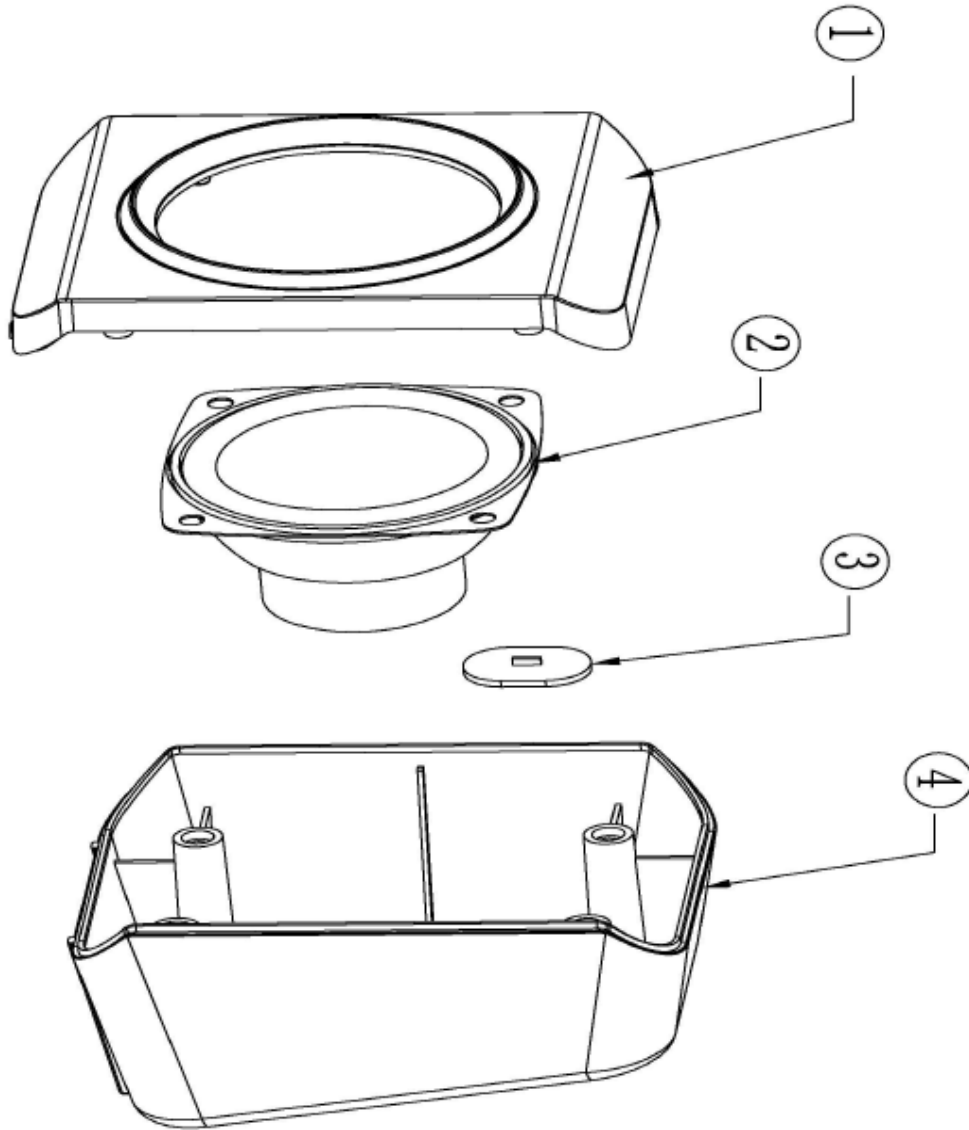


Chapter 4 Rendering after Assembly

Subwoofer



Satellite



Chapter 5 Material List

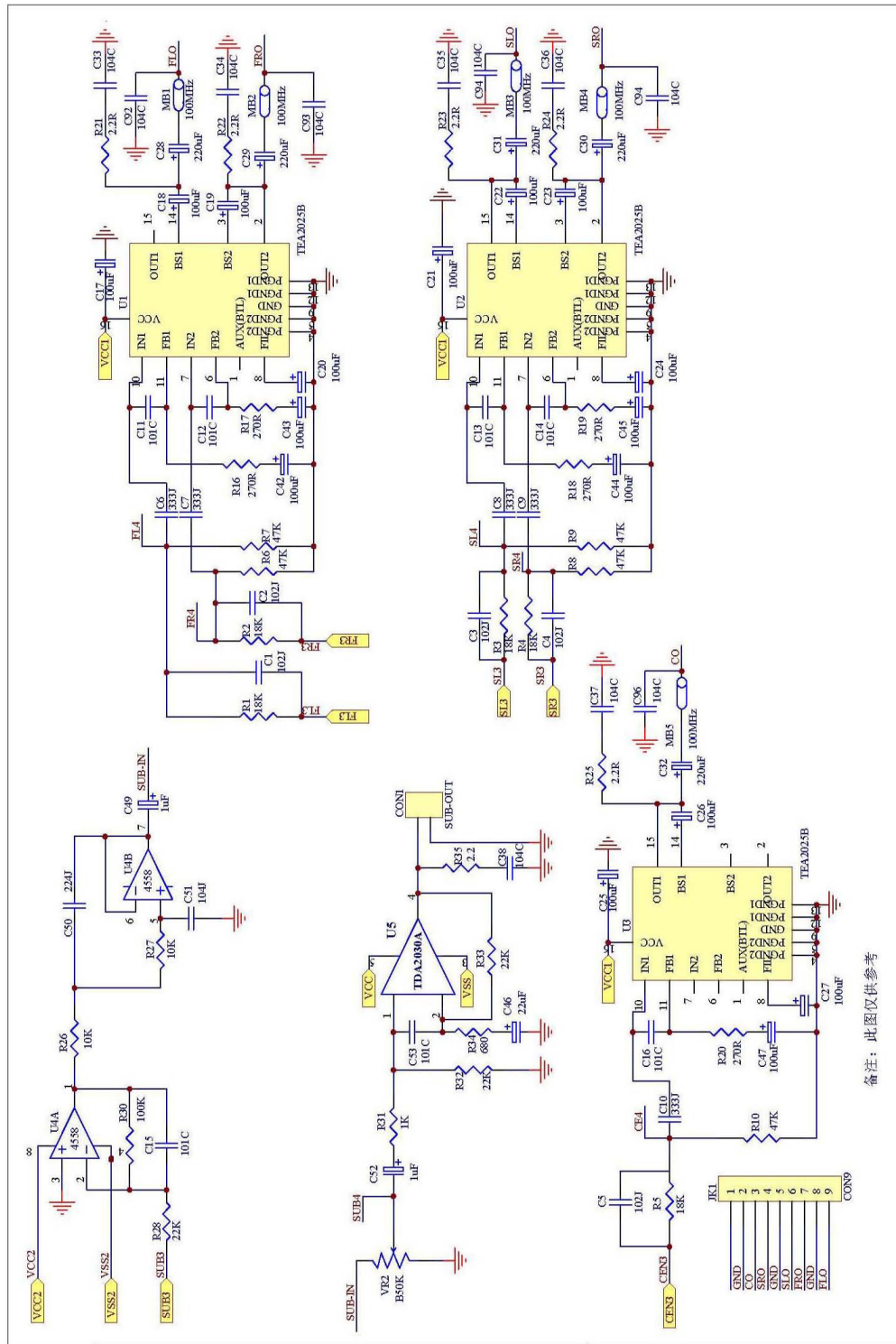
Subwoofer

| Ref. NO | Description | Part NO. |
|---------|-----------------|-----------------|
| 1 | KNOB | AMP024502. 00G |
| 2 | FRONT PANEL | AMP024501. 00G |
| 3 | VOLUME PCBA | ASP024501. G01 |
| 4 | WRAP BOARD | AHB024501. 00G |
| 5 | AMPLIFIER PCBA | ASP024502. G01 |
| 6 | IC SJ3358 DIP18 | AEU000130. 00G |
| 7 | IC TEA2025B | AEI'000001. 04G |
| 8 | METAL BAR | AMB000006. 00G |
| 9 | BACK BOARD | AHB024502. 00G |
| 10 | RUBBER FOOT | AHR000066. 00G |
| 11 | SPEAKER | AMK440028. 00G |
| 12 | IC JRC4558D | AEU000008. 00G |
| 13 | IC TDA2030A | AEU000006. 02G |
| 14 | AL HEAT | AHS000057. 00G |
| 15 | FE HEAT | AHS000035. 00G |
| 16 | 5RCA SOCKET | ANJ000096. 00G |
| 17 | POWER PCBA | AEM100026. 00G |

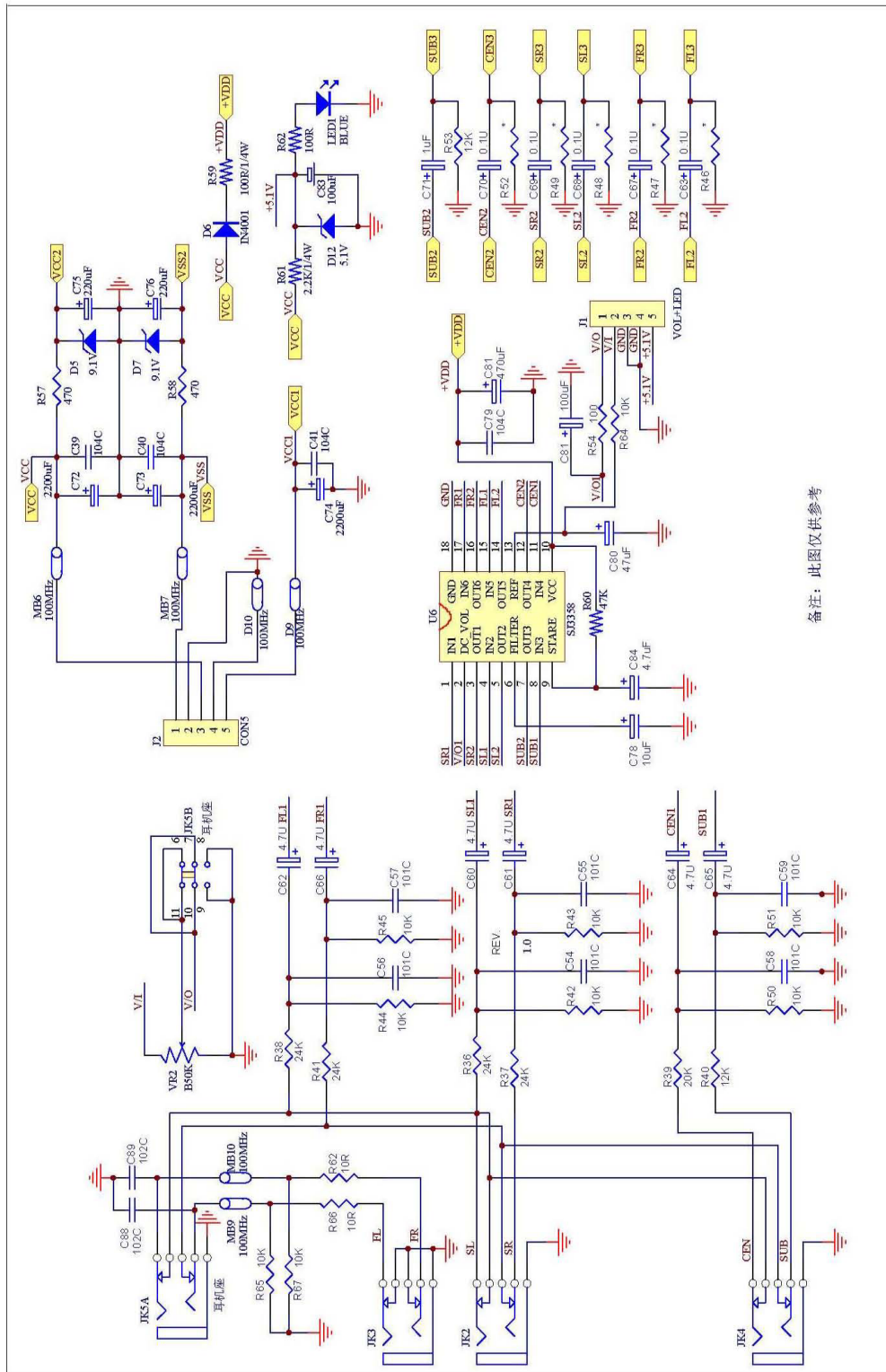
Satellite

| Ref. NO | Description | Part NO. |
|---------|---------------|----------------|
| 1 | FRONT CABINET | AMP024402. 00G |
| 2 | SPEAKER | AMK340064. 00G |
| 3 | SEALING COVER | AMP724404. 00G |
| 4 | BACK CABINET | AMP724403. 00G |

Chapter 6 Electric Schematic Diagram



备注：此图仅供参考



备注：此图仅供参考