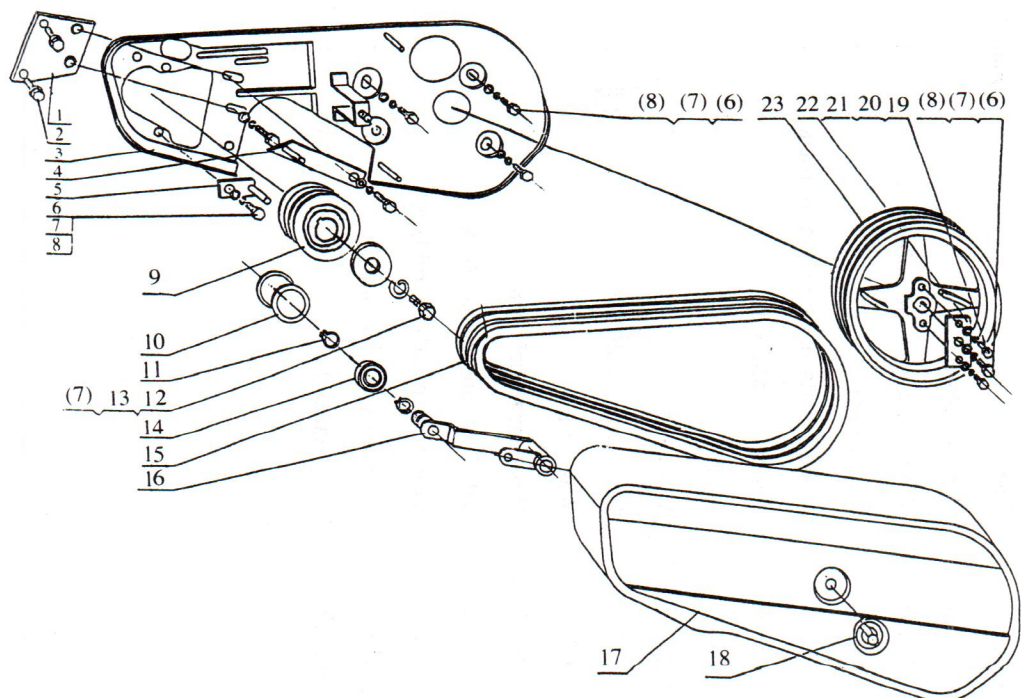


CONTENTS

1. Unit of pulley transmission (6.22.001).....	1
2. Unit of accumulator frame (6.25.001).....	3
3. Subassembly of supporting frame (6.25A.001).....	5
4. Unit of machine frame (6.30.001).....	7
5. Unit of left and right driving wheel (6.34.001).....	9
6. Unit of hanging and connecting frame (6.35.001).....	11
7. Unit of gearbox (6.37.001).....	13
8. Unit of housing returning apparatus (6.40.001).....	23
9. Unit of control panel for armrest frame, rotary cultivation operation, sub-shift operation and operation (6.40.012) (6.40.016) (6.40.017) (6.40.019).....	25
10. Unit of switch for left turning handle and throttle (6.40.013).....	27
11. Unit of right turning handle(6.40.014).....	29
12. Unit of turning changeable apparatus (6.40.015).....	31
13. Unit of operation for main clutch (6.40.018).....	33
14. Unit of adjustment for armrest frame up and down (6.40.024).....	35
15. Unit of fender (6.46.001).....	37
16. Unit of front cover and lamp frame (6.47.001).....	39

1. Unit of pulley transmission (6.22.001)

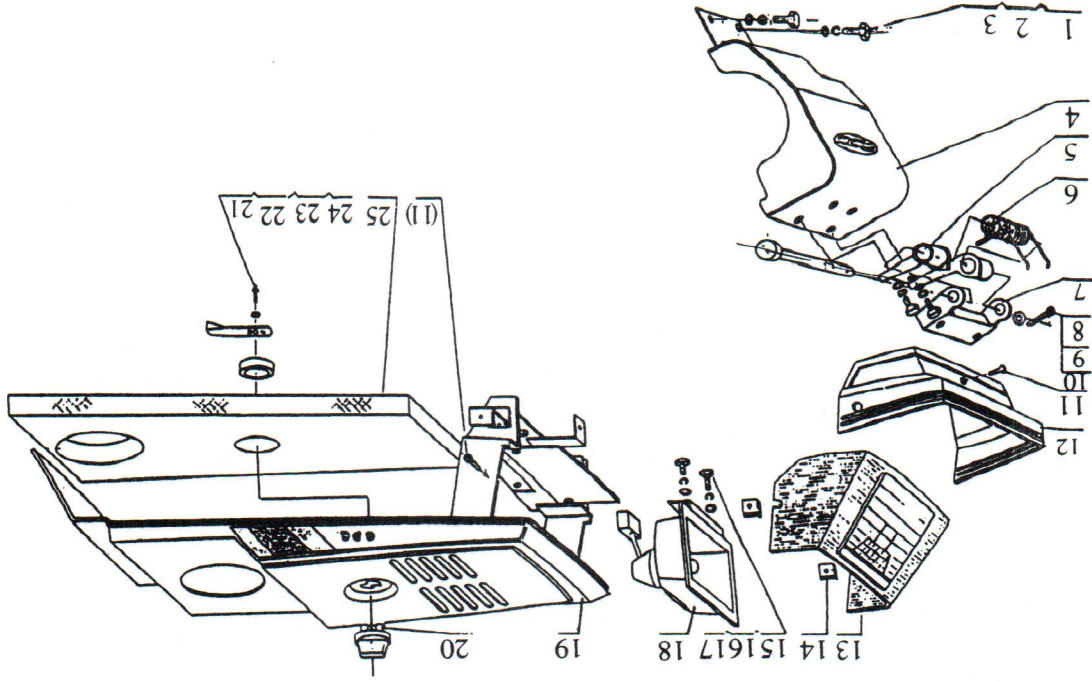
No.	Code	Name	Quantity
1	6.22.012	Welded parts of fixed plate	1
2	GB5787-86	Hexangular bolt M8 × 16	2
3	6.22.016	Welded parts of base for pulley cover	1
4	6.22.011	Welded parts of limit shaft (1)	1
5	6.22.017	Welded parts of limit shaft (2)	1
6	GB5783-86	Bolt M8 × 16	5
7	GB93-87	Washer 8	8
8	GB97.1-85	Washer 8	8
9	6.22.101	Active pulley wheel	1
10	6.22.111	Tensile wheel	1
11	GB894.1-86	Elastic retainer	2
12	GB5783-86	Bolt M8 × 25	3
13	6.22.122	washer	1
14	GB279-82	Rolling bearing 6002-2RS	1
15	GB1171-74	A-type delta belt (inner perimeter 1067)	3
16	6.22.020	Welded parts of rocker	1
17	6.22.013	Subassembly of pulley cover	1
18	6.22.014	Subassembly of lock knob	1
19	GB5783-86	Bolt M8 × 15	2
20	GB93-87	Washer 6	2
21	GB97.1-85	Washer 6	2
22	6.22.103	Pressing plate of passive pulley wheel	1
23	6.22.102	Passive pulley wheel	1



1. Unit of pulley transmission (6.22.001)

2. Unit of accumulator frame (6.25.001)

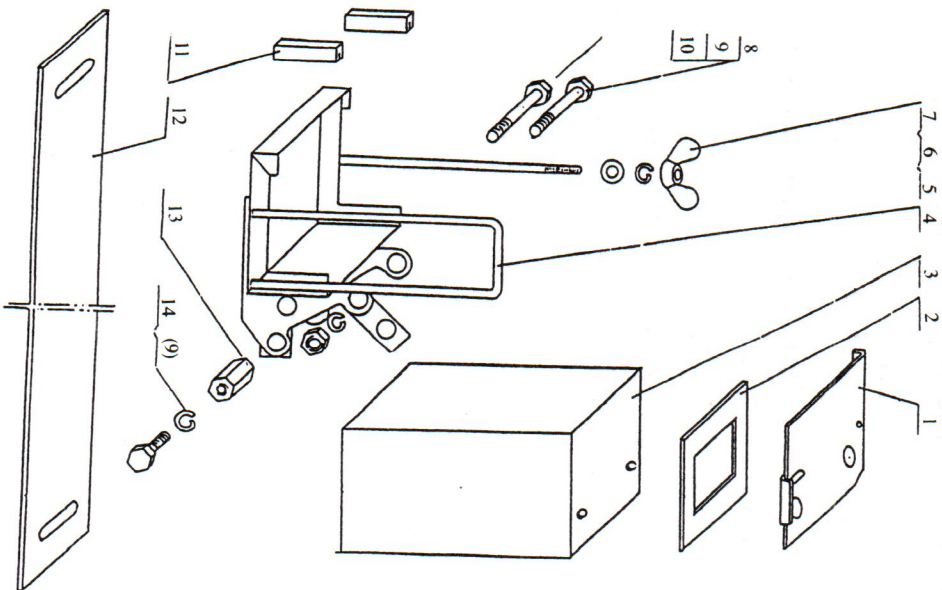
No.	Code	Name	Quantity
1	6.25.101	Pressing plate	1
2	6.25.103	Vibration absorbing rubber (2)	1
3	12N14-3A	accumulator	1
4	6.25.011	Welded parts of accumulator frame	1
5	GB62-88	Buffer nut M6 × 1	1
6	GB93-87	Washer 6	1
7	GB97.1-85	Washer 6	1
8	GB5787-86	Hexangular bolt M8 × 85	2
9	GB93-87	Washer 8	2
10	GB6177-86	Hexangular bolt M8	1
11	6.25.104	Vibration absorbing block	2
12	6.25.102	Vibration absorbing rubber(1)	1
13	6.25.105	Long Hexangular nut	1
14	GB5787-86	Hexangular bolt M8 × 16	1



16. Unit of front cover and lamp frame (6.47.001)

No.	Code	Name	Quantity
1	GB5783-86	Bolt M 8 × 16	6
2	GB93-87	Washer 8	6
3	GB97.1-85	Washer 8	6
4	6.47.011	Welded parts of front cover	1
5	6.47.112	Welded parts of inclined motherboard	1
6	6.47.113	torsion spring	1
7	6.47.112	motherboard	1
8	GB882-86	Pin shaft B8 × 105	1
9	GB97.1-85	Washer 8	1
10	GB91-86	Split pin 2 × 22	1
11	GB845-85	tapping screw ST4.2-C-H	5
12	6.47.102	Decorative housing	1
13	6.47.101	Glass lamp cover	1
14	6.47.103	Clip	2
15	GB5783-86	Bolt M6 × 16	4
16	GB93-87	Washer 6	4
17	GB97.1-85	Washer 6	4
18	6.48.013	Assemble of front lamps	1
19	6.47.013	Welded parts of cover	1
20	6.47.104	Screw knob	1
21	6.47.105	Turning sheath	1
22	GB818-85	Cross screw M5 × 16	1
23	GB97.1-85	Washer 5	1
24	6.47.106	Lock piece	1
25	6.47.107	Gasket of vibration absorbing	1

• 39 •

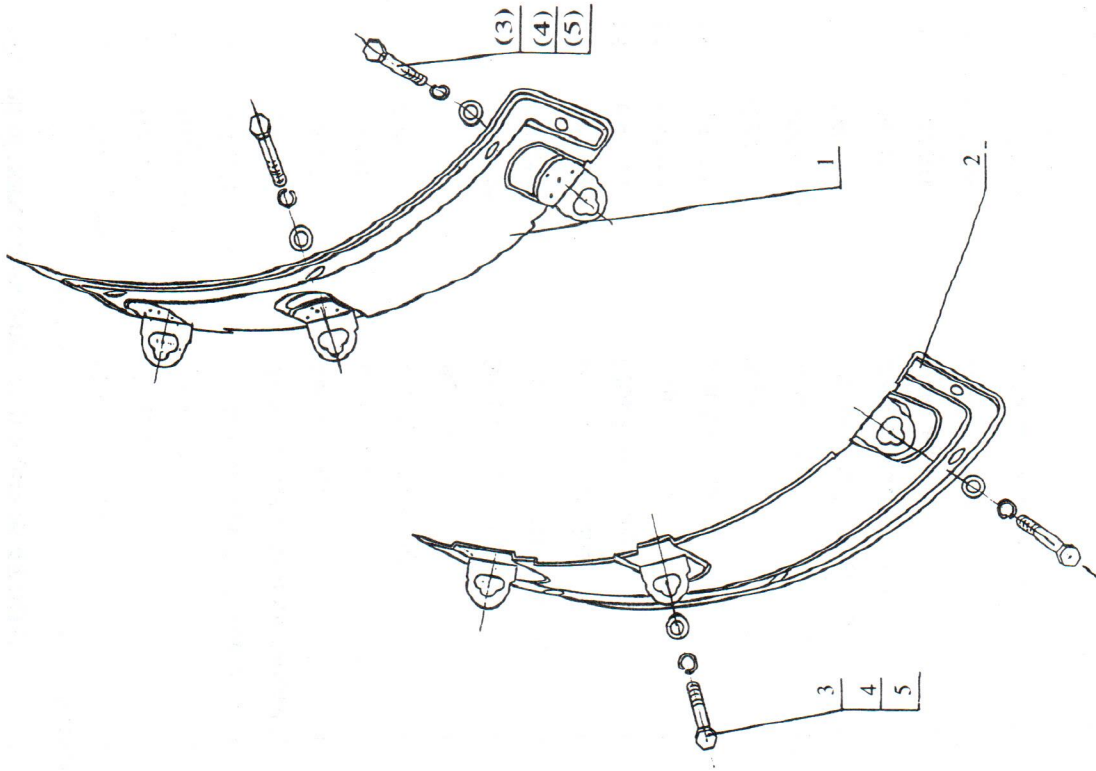


2. Unit of accumulator frame (6.25.001)

• 4 •

3. Subassembly of supporting fram(6.25A.001)

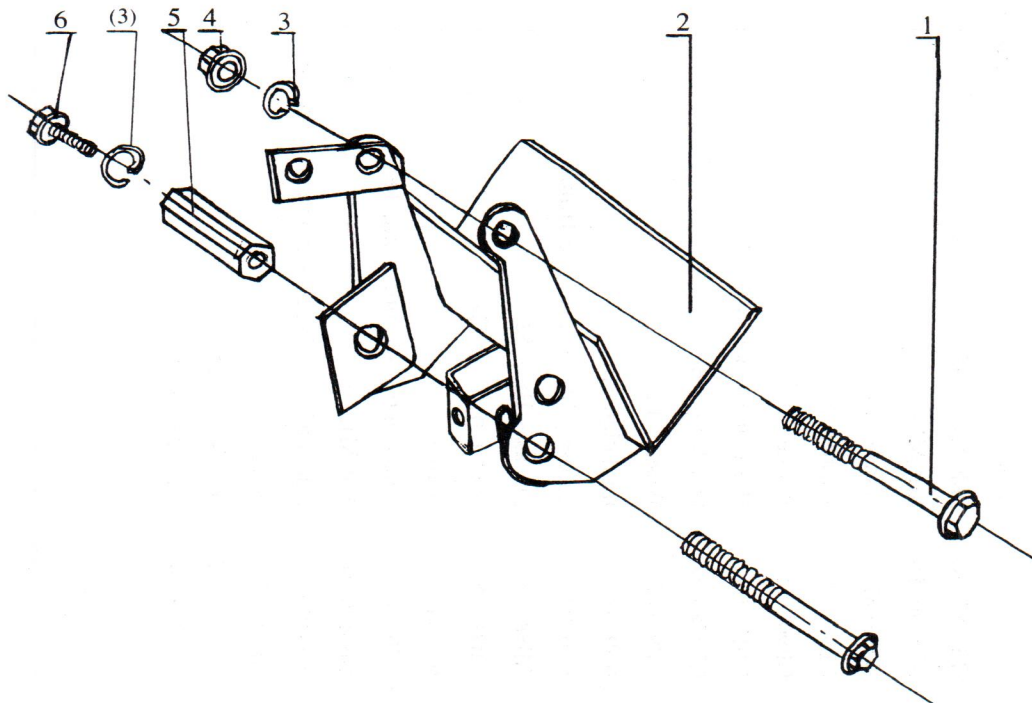
No.	Code	Name	Quantity
1	GB5787-86	Hexangular bolt M8 × 85	2
2	6.25A-011	Welded parts of supporting sheft	1
3	GB93-87	Washer 6	2
4	GB6177-86	Hexangular nut M8	1
5	6.25-105	Long Hexangular nut M8	1
6	GB5787-86	Hexangular bolt M8 × 16	1



15. Unit of fender (6.46.001)

15. Unit of fender (6.46.001)

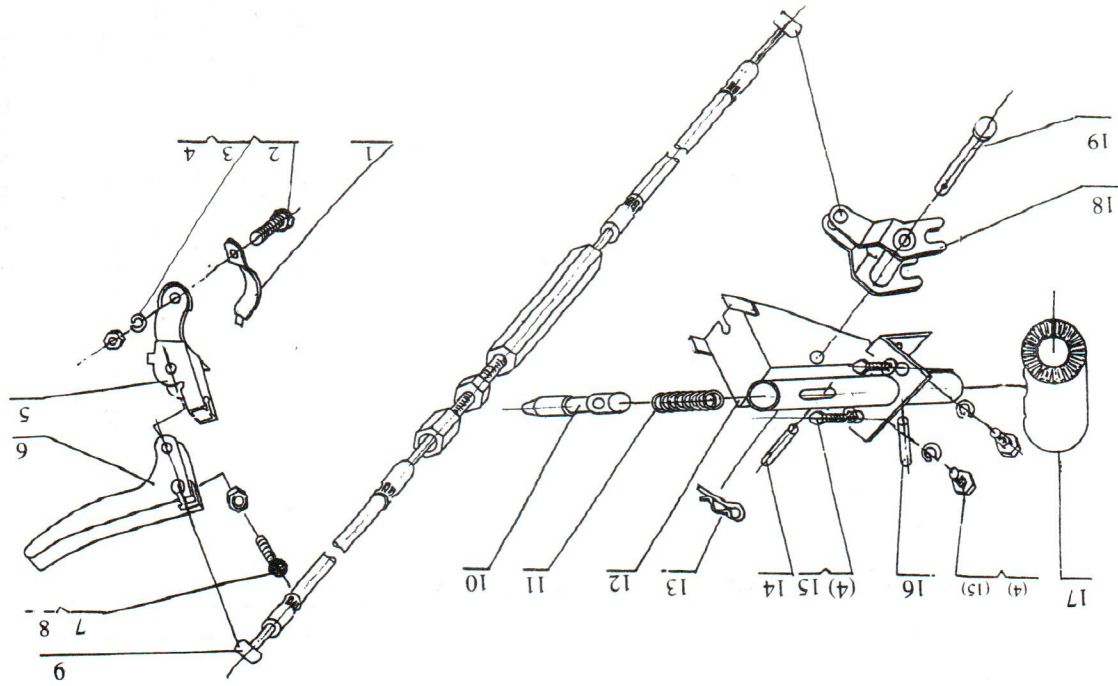
No.	Code	Name	Quantity
1	6.46.011	Welded parts of left fender	1
2	6.46.012	Welded parts of right fender	1
3	GB5783-86	Bolt M8 × 16	4
4	GB97.1-85	Washer 8	4
5	GB93-87	Washer 8	4



3. Subassembly of supporting frame (6.25A.001)

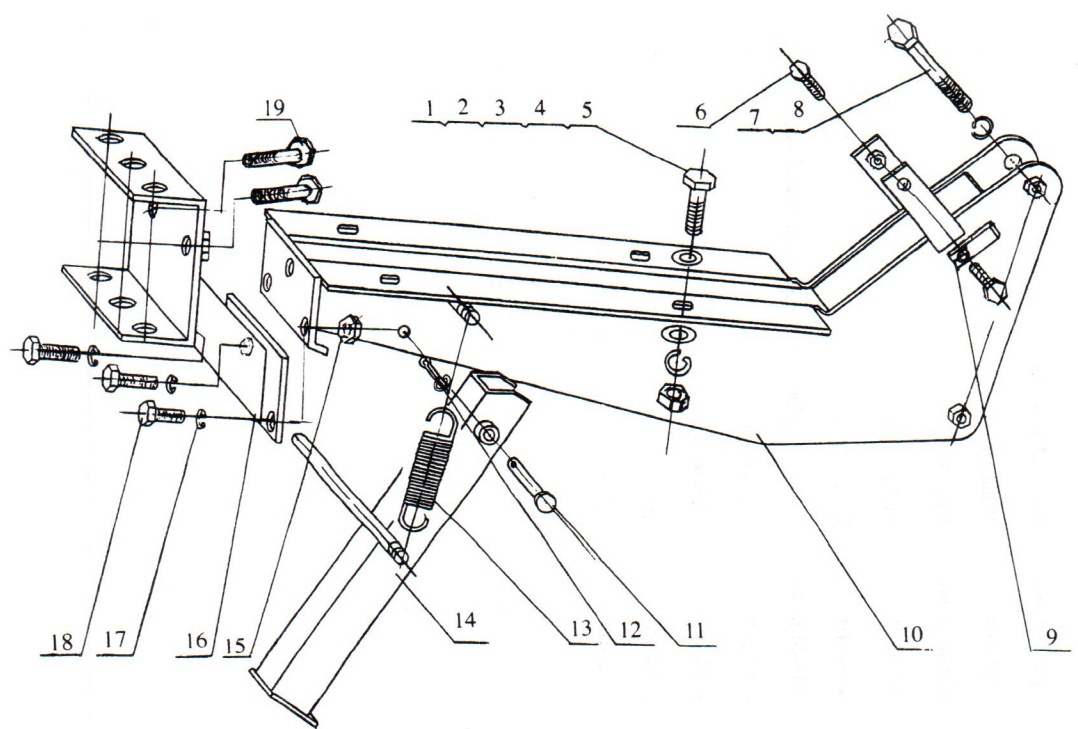
4. Unit of machine frame (6.30.001)

No.	Code	Name	Quantity
1	GB5783-86	Bolt M10 × 45	4
2	GB6170-86	Nut M10	4
3	GB93-87	Washer 10	4
4	GB97.1-85	Washer 10	4
5	GB966-85	Washer 10	4
6	GB5787-86	Hexangular bolt M8 × 12	2
7	GB5783-86	bolt M12 × 60	2
8	GB93-87	Washer 12	5
9	6.30.016	Insulation clip	1
10	6.30.011	Subassembly of machine frame	1
11	GB882-86	Pin axis B8 × 52	1
12	GB91-86	Split pin 2.5 × 24	1
13	6.30.118	Spring	1
14	6.30.012	Subassembly of supporting feet	1
15	GB6170-86	Nut M12	3
16	6.30.013	Subassembly of front hanging and connecting	1
17	GB93-87	Washer 12	3
18	GB5783-86	bolt M12 × 25	3
19	GB5783-86	bolt M10 × 20	2



14. Unit of adjustment for armrest frame up and down (6.40.024)

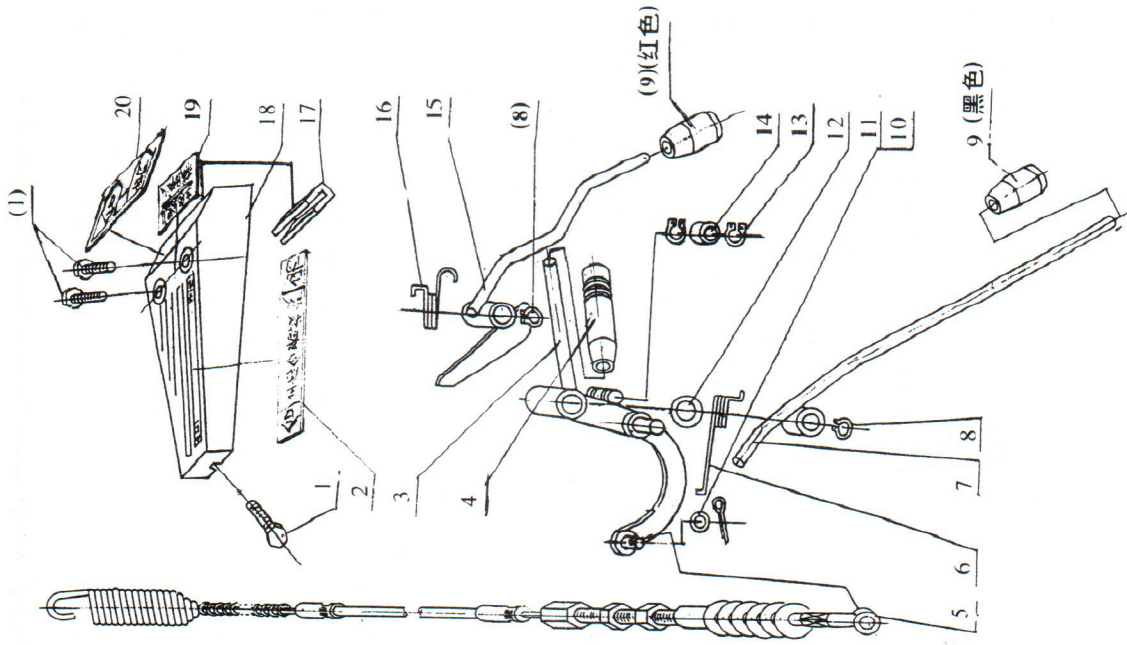
No.	Code	Name	Quantity
1	6.40.024-101	Shaft cover	1
2	GB818-85	Cross screw M6 × 25	1
3	GB6172-86	Nut M6	1
4	GB93-87	Washer 6	5
5	6.40.024-106	Fixed seat of handle	1
6	6.40.024-107	Handle	1
7	GB818-85	Cross screw M6 × 18	1
8	GB6172-86	Thin nut M6	1
9	6.40.023	Assemble of operating flexible shaft for armrest adjusting up and down	1
10	6.40.024-103	Movable pin head	1
11	6.40.024-104	Press spring	1
12	6.40.024-02	Welded parts of lock frame	1
13	6.40.024-102	Elastic split pin	1
14	GB879-86	Elastic cylinder pin 6 × 30	1
15	GB5783-86	Bolt M6 × 12	4
16	GB879-86	Elastic cylinder pin 4 × 18	1
17	6.40.024-105	Double terminal gear shift	1
18	6.40.024-03	Welded parts of shift fork	1
19	GB882-86	Pin shaft B8 × 40	1



4. Unit of machine frame (6.30.001)

5. Unit of left and right driving wheel (6.34.001)

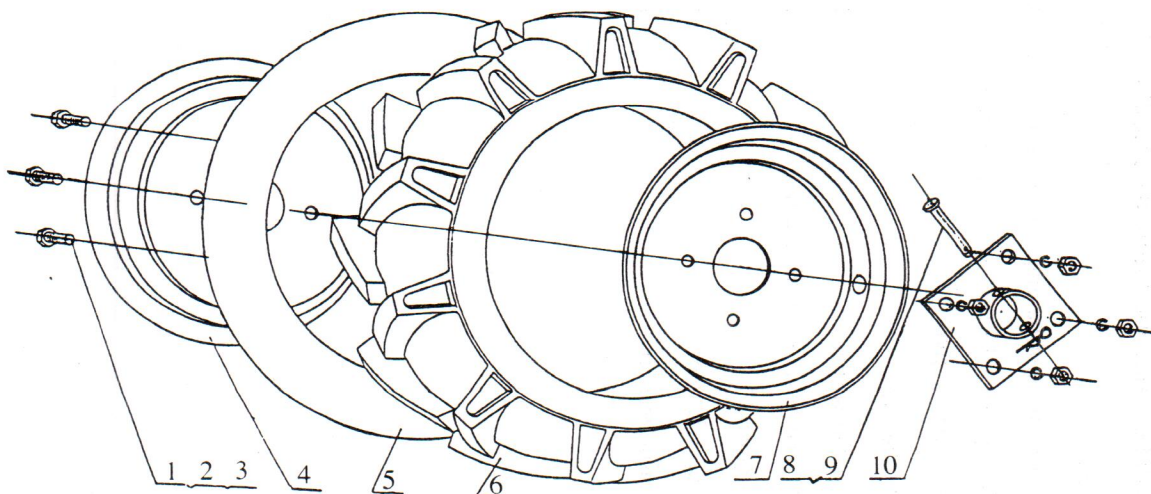
No.	Code	Name	Quantity
1	GB5783-86	Bolt M10 × 26	8
2	GB93-87	Washer 10	8
3	GB6170-86	Nut M10	8
4	6.34.101	Felloe (1)	2
5	4.00-10	Inner tyre	2
6	4.00-10 or 4.00-8	Rubblle - nylon tyre (4-layer lambdaoidal pattern)	2
7	6.34.102	Felloe (2)	2
8	6.34.103	Elastic split pin	2
9	6.34.104	pin	2
10	6.34.012	Subassembly of joint disk	2



13. Unit of operation for main clutch (6.40.018)

13. Unit of operation for main clutch (6.40.018)

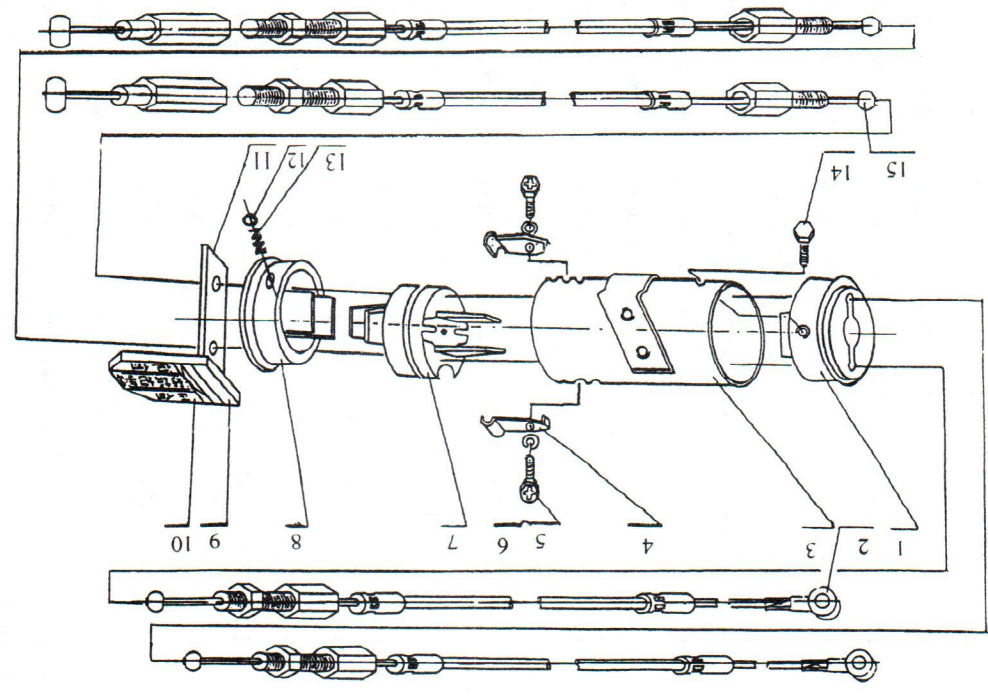
No.	Code	Name	Quantity
1	GB5787-86	Hexagram bolt M6 × 12	3
2	6.40.018-109	Indicating brand (3)	1
3	6.40.018-01	Welded parts of handle lever for main clutch	1
4	6.40.016-102	Sheath of handle	1
5	6.40.020	Assemble of handle flexible shaft for clutch	1
6	6.40.018-101	Reset spring (1)	1
7	6.40.018-02	Welded parts of auxiliary lever for main clutch	1
8	GB894.2-86	Retainer 12	2
9	6.40.018-104	Sheath of auxiliary lever	Red and black each 1
10	GB91-86	Split pin 2 × 12	1
11	GB97.1-86	Washer 6	1
12	GB97.1-85	Washer 12	1
13	GB896-86	Split retainer	2
14	6.40.018-106	Sheath of pin	1
15	6.40.018-03	Welded parts of reset handle lever	1
16	6.40.018-105	Reset spring (2)	1
17	6.40.018-103	Buffer block	1
18	6.40.018-102	Control panel of main clutch	1
19	6.40.018-108	Indicating brand (2)	1
20	6.40.018-107	Indicating brand (1)	1



5. Unit of left and right driving wheel (6.34.001)

6. Unit of hanging and connecting frame (6.35.001)

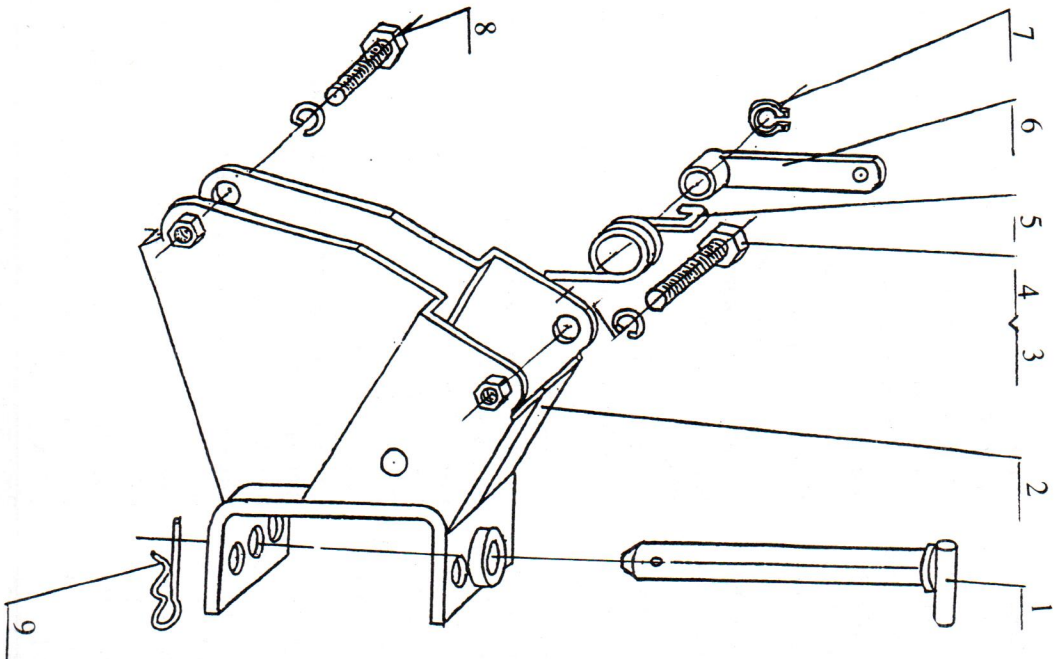
No. Code	Name	Quantity
1 6-35.013	Welded parts of hanging and connecting pin	1
2 6-35.012	Welded parts of hanging and connecting frame	1
3 GB5780-86	Bolt M12 x 100	1
4 GB93-87	Washer 12	2
5 6-35.111	Torsion spring	1
6 6-35.011	Welded parts of pulling arm	1
7 GB8941-86	retainer 12	1
8 GB5780-86	bolt M12 x 60	1
9 6-35.102	Elastic split pin	1



12. Unit of turning changeable apparatus (6.40.015)

12. Unit of turning changeable apparatus (6.40.015)

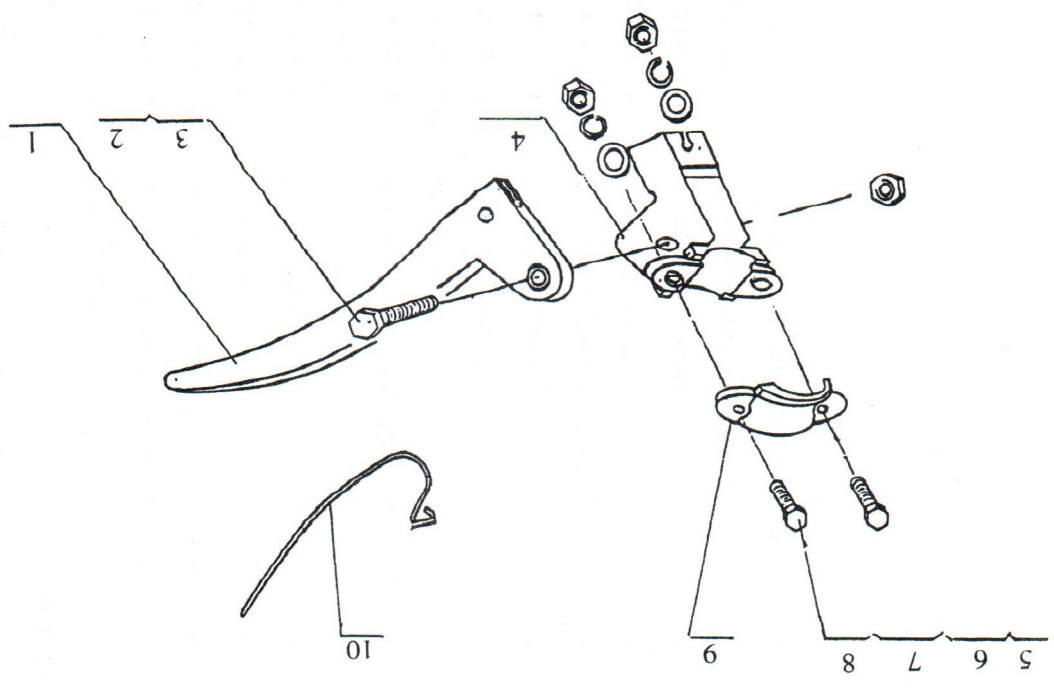
No.	Code	Name	Quantity
1	6.40.015-117	Fixed cover	1
2	6.40.015-06	Assemble of flexible shaft for turning fixed cover 2	2
3	6.40.015-02	Assemble of outer housing for turning device	1
4	6.40.015-101	Press plate	2
5	GB818-85	Screw M5 × 8	4
6	GB93-87	washer 5	2
7	6.40.015-03	Assemble of rotating disk	1
8	6.40.015-103	Rotating cover	1
9	6.40.015-107	Seal of nameplate	1
10	6.40.015-106	Indicating nameplate	1
11	6.40.015-104	Rotating supporting frame	1
12	GB308-84	Steel ball 5.5 II	1
13	6.40.015-102	Compressed spring	1
14	GB5187-86	Hexagram bolt M6 × 12	1
15	6.40.015-05	Assemble of flexible shaft for turning rotating cover	2



6. Unit of hanging and connecting frame (6.35.001)

7. Unit of gearbox (6.37.001)

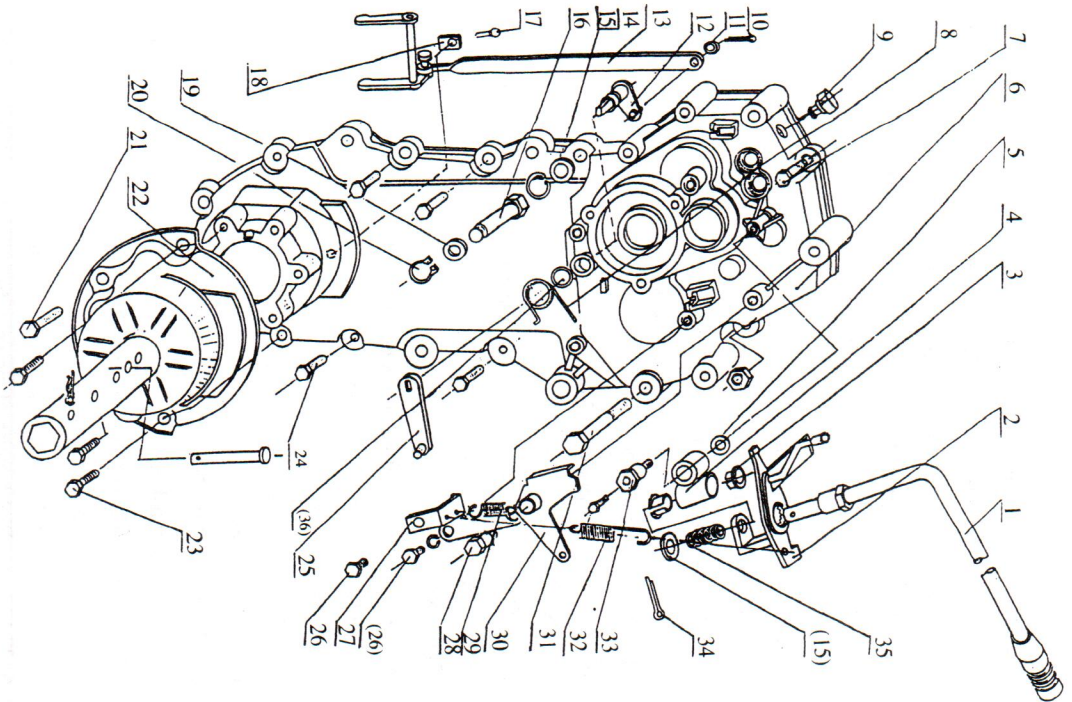
No.	Code	Name	Quantity
1	6-37.026.01	Assemble of handle	1
2	6-37.026.03	Assemble of shift lever	1
3	6-37.233	Plastic sheath	2
4	6-37.026.02	Assemble of shaft sleeve	1
5	GB95-85	Washer 8	1
6	6-37.107	Left body of gearbox	1
7	6-37.105	Upper fitting bolt	1
8	6-37.159	Left turning torsion spring	1
9	6-37.106	Air discharging plug	1
10	GB91-86	Split pin 1.6 x 15	5
11	GB95-85	Washer 6	4
12	6-37.030	Assemble of left turning rocker	1
13	6-37.018	Assemble of left turning pulling bar	1
14	GB93-87	Washer 12	1
15	GB95-85	Washer 12	2
16	6-37.122	Fixed shaft of tension wheel	1
17	GB5787-86	Bolt M6 x 16	11
18	6-37.160	Fixed piece	2
19	GB97.5-85	Washer 12	1
20	GB894.1-86	Washer 12	1
21	6-37.136	Low fixed bolt	1
22	6-37.125	Left cover of prevent from earth and water	1
23	GB5780-86	Bolt M8 x 45	3
24	GB5787-86	Bolt M8 x 30	4
25	6-37.028	Assemble of outer turning rocker	2
26	GB5787-86	Bolt M8 x 16	3
27	6-37.023	Assemble of supporting plate	1
28	6-37.154	bolt	1
29	6-37.153	Reset spring for preventing reverse gear of rotary cultivation	1
30	6-37.024	Assemble of limit plate for preventing reverse gear of rotary cultivation	1
31	GB5780-86	Bolt M10 x 90	1
32	6-37.152	Reset spring of main shift lever	1
33	6-37.235	Pin shaft	1
34	GB91-86	Split pin 2.5 x 20	1
35	6-37.237	spring	1



11. Unit of handle for right turning (6.40.014)

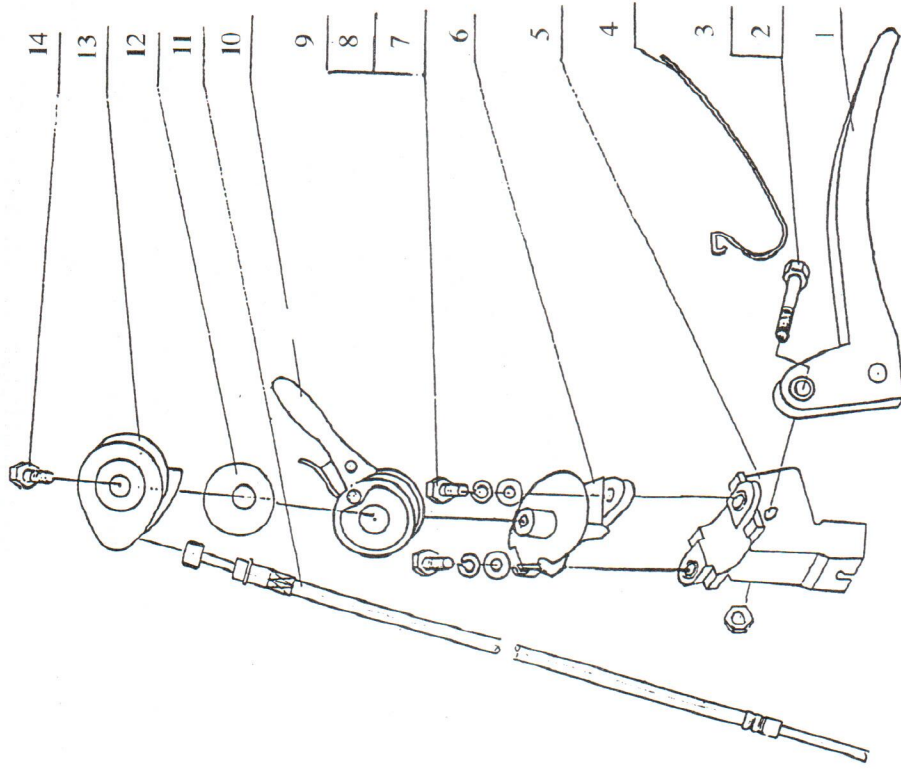
11. Unit of handle for right turning (6.40.014)

No.	Code	Name	Quantity
1	6.40.014-01	Assemble of turning handle	1
2	GB822-88	Screw M6 × 25	1
3	GB6172-86	Nut M6	1
4	6.40.014-102	Fixed seat	1
5	GB5781-86	Bolt M6 × 28	2
6	GB97.1-85	Washer 6	2
7	GB93-87	Washer 6	2
8	GB6170-86	Nut M6	2
9	6.40.014-101	Light fixed press cover	1
10	6.40.014-103	Reset torsion spring	1



7. Unit of gearbox (6.37.001)

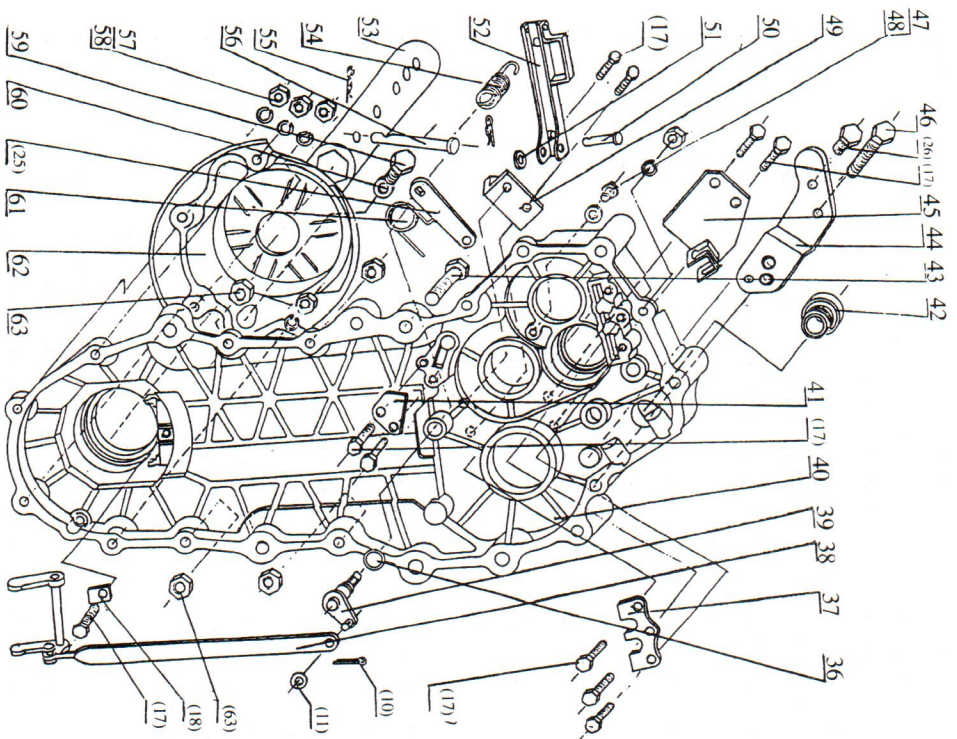
No.	Code	Name	Quantity
36	GB3452.1	O-ring sealing 10 × 1.8G	2
37	6-37.108	Press piece of fitting spring	1
38	6-37.029	Assemble of right turning pulling bar	1
39	6-37.027	Assemble of right turning rocker	1
40	6-37.102	Right body of gearbox	1
41	6-37.140	Retainer	1
42	6-37.155	Oiling plug	1
43	GB5780-86	Bolt M12 × 60	1
44	6-37.151	Fixed plate of chain box	1
45	6-37.022	Welded parts of fitting lock for flexible shaft of rotary cultivation	1
46	GB5787-86	Bolt M8 × 80	1
47	6-37.150	Copper gasket	1
48	GB5787-86	Bolt M6 × 12	1
49	6-37.021	Welded parts of supporting seat for sub-gearbox	1
50	GB882-86	Pin shaft 8 × 28	1
51	GB95-85	Washer 8	1
52	6-37.020	Assemble of rocker for sub-gearbox	1
53	6-37.131	Semi-shaft sheath	2
54	6-37.123	extension spring of sub-gearbox	1
55	6-37.146	Elastic split pin	2
56	6-37.130	pin	2
57	GB41-86	Nut M8	5
58	GB93-87	washer	6
59	GB5787-86	(oil discharge) bolt M8 × 12	1
60	6-37.134	Copper gasket	1
61	6-37.145	Right turning torsion spring	1
62	6-37.135	Right cover of prevent from earth and water	1
63	GB6187-86	Nut M8	7



10. Unit of switch for left turning handle and throttle(6.40.013)

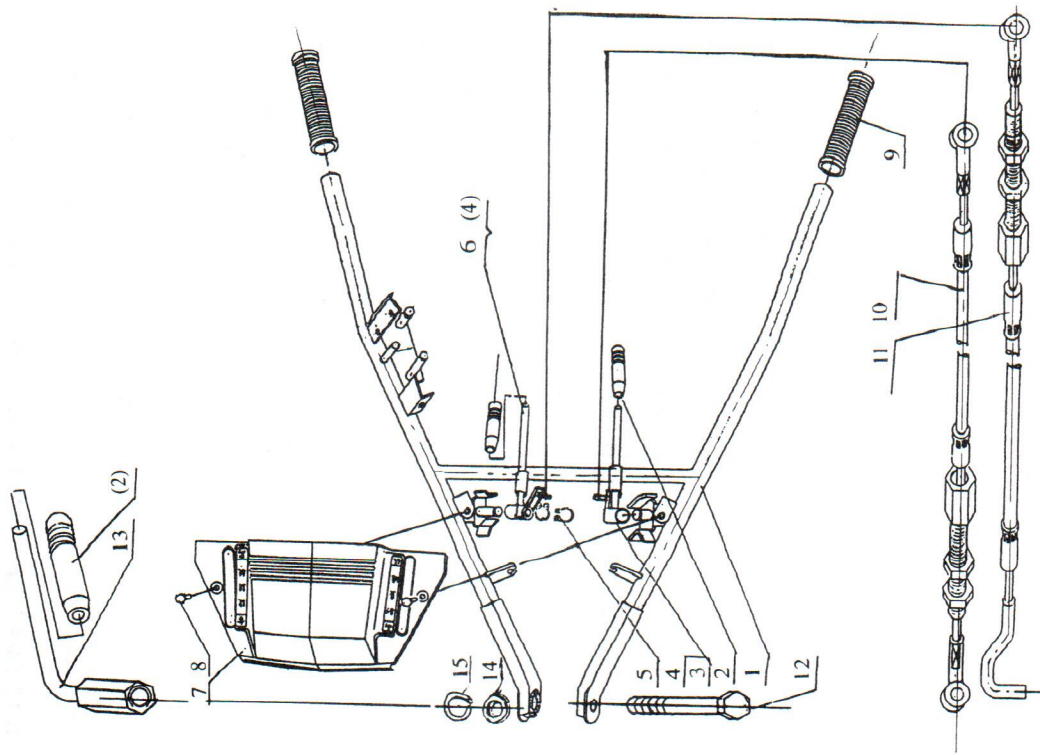
10. Unit of switch for left turning handle and throttle(6.40.013)

No.	Code	Name	Quantity
1	6.40.014-01	Assemble of turning handle	1
2	GB822-88	Screw M6 × 25	1
3	GB6172-86	Nut M6	1
4	6.40.014-103	Reset torsion spring	1
5	6.40.014-102	Fixed seat	1
6	6.40.013-01	Assemble of press cover for left fixed seat	1
7	GB5781-86	Bolt M6 × 20	2
8	GB97.1-85	Washer 6	2
9	GB93-87	Washer 6	1
10	6.40.013-02	Assemble of switch for throttle	1
11	6.40.013-03	Assemble of flexible shaft for throttle	1
12	6.40.013-102	Saddle shape elastic washer	2
13	6.40.013-101	Press cover	1
14	GB818-85	Screw M6 × 10	1



7. Unit of gearbox (6.37.001)

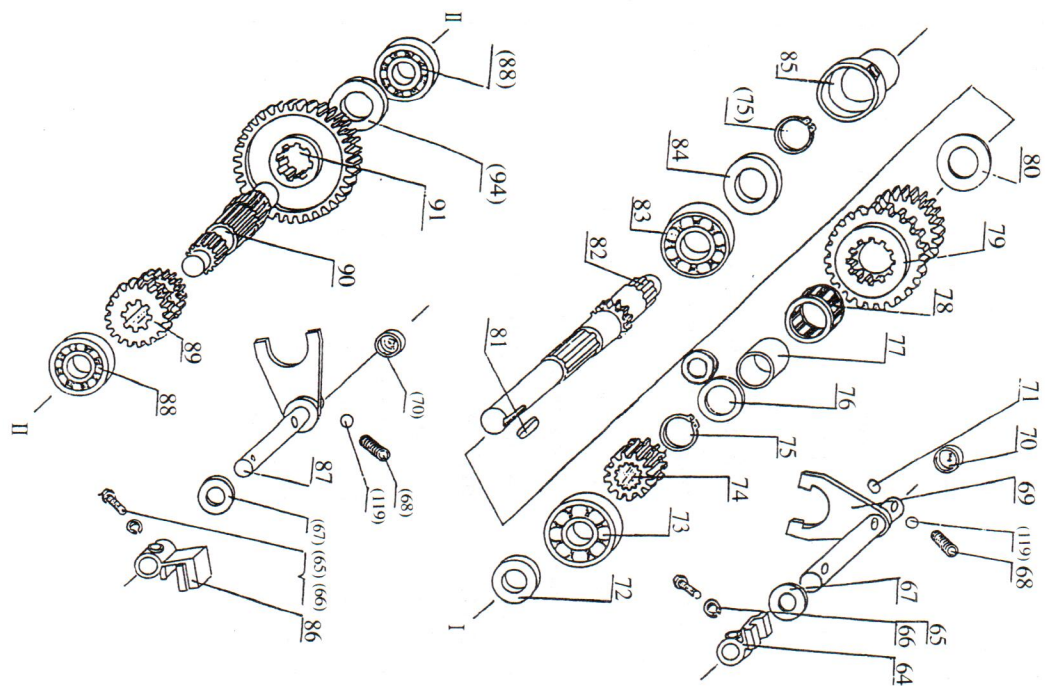
No. Code	Name	Quantity
64	6-37.109 Block for 3rd and 5th gear	1
65	GB5780-86 Bolt M6 × 12	2
66	GB93-87 Washer 6	2
67	6-37.012 Assemble of bone rubber oil seal	3
68	6-37.143 Fitting spring for shift fork	2
69	6-37.013 Welded parts of shift fork for 3rd and 5th shift fork	1
70	6-37.114 block	2
71	6-37.144 Interlock pin of gear changeable	1
72	6-37.031 bone rubber oil seal	1
73	GB/T276-94 Rolling bearing 6303	2
74	6-37.132 Active gear of 3rd and 5th gear	1
75	GB894.2-86 retainer 20	2
76	6-37.203/6-37.202 washer I / retainer	1/1
77	6-37.205 sheath	1
78	ISO3030 DIN5405 Needle bearing K25 × 30 × 26FZW	1
79	6-37.204 idler wheel of 1st shaft	1
80	6-37.206 Washer II	1
81	GB1096-79 KeyB5 × 30	1
82	6-37.201 1st shaft	1
83	GB/T276-94 Rolling bearing 6204	1
84	GB9877.1-88 bone rubber oil seal FB20 × 30 × 7D	1
85	6-37.101 Protective cover of output shaft	1
86	6-37.156 Shift block of 1st gear	1
87	6-37.025 Welded parts of shift fork of 1st gear	1
88	GB/T276-94 Rolling bearing 6203	2
89	6-37.110 Active gear of 1st gear	1
90	6-37.111 2nd shaft	1
91	6-37.104 reduction gear of 2nd shaft	1



9. Unit of control panel for armrest frame, rotary cultivation operation, sub-shift operation and operation (6.40.012) (6.40.016) (6.40.017) (6.40.019)

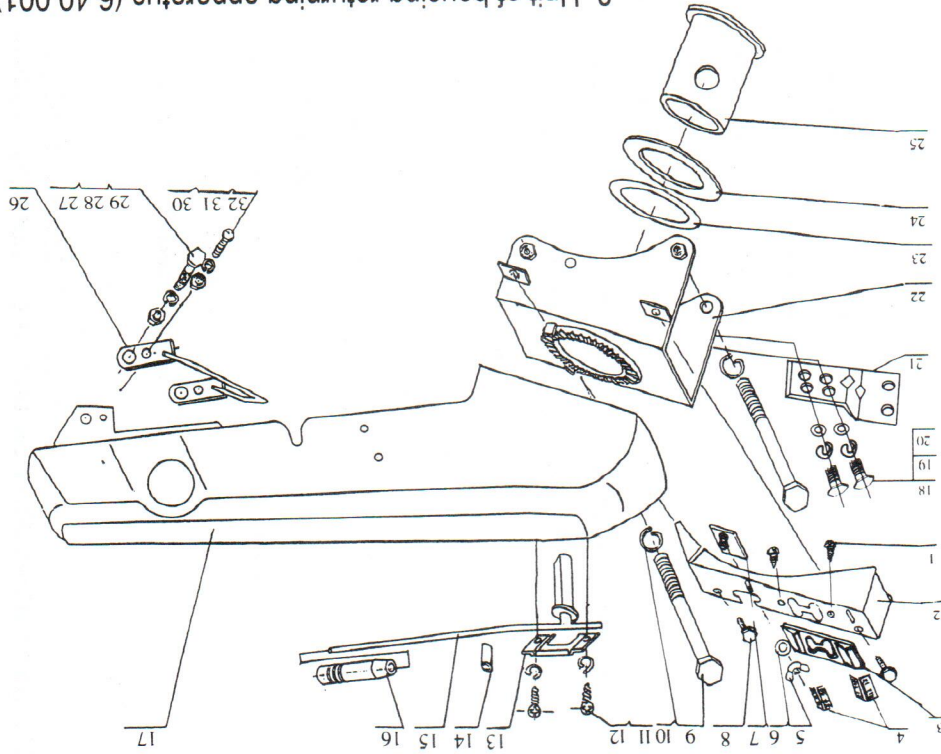
9. Unit of control panel for armrest frame, rotary cultivation operation, sub-shift operation and operation (6.40.016) (6.40.017) (6.40.019)

No.	Code	Name	Quantity
1	6.40.012	Assemble of armrest frame	1
2	6.40.016-102	Sheath of handle	3
3	6.40.016-01	Welded parts of sub-shift handle lever	1
4	6.40.016-101	sheath	2
5	GB8942-86	Retainer 12	2
6	6.40.017-01	Welded parts of control handle lever for rotary cultivation	1
7	6.40.019	Unit of control panel for operation	1
8	GB5787-86	Hexagram bolt M6 × 16	2
9	6.40.101	Sheath of armrest frame	2
10	6.40.021	Assemble of flexible shaft for sub-shift handle lever	1
11	6.40.022	Assemble of flexible shaft for rotary cultivation	1
12	GB5983-86	Bolt M12 × 124	1
13	6.40.001-02	Welded parts of lock handle for armrest	1
14	GB97.1-85	Washer 12	1
15	GB93-87	Washer 12	1



7. Unit of gearbox (6.37.001)

No. Code	Name	Quantity
92 6-37.015	Assemble of block	1
93 6-37.112	Slow speed gear of 3rd	1
94 6-37.103	washer	2
95 6-37.115	Active gear of quick gear in auxiliary shift	1
96 GB308-84	Steel ball 5.5 II	12
97 6-37.113	3rd shaft	1
98 6-37.116	Shift disk of sub-shift	1
99 6-37.117	Active gear of low shift	1
100 6-37.157	washer	1
101 6-37.158	Quick speed gear of 3rd shaft	1
102 GB/T276-94	Rolling bearing 6302	1
103 6-37.019	Assemble of shift fork	1
104 6-37.141	Shaft sleeve	1
105 6-37.142	Washer	2
106 6-37.139	Shaft sleeve	1
107 6-37.138	Spring of shift fork of sub-gearbox	1
108 6-37.137	Dust proof cover	1
109 GB882-86	Pin shaft B6 × 45	1

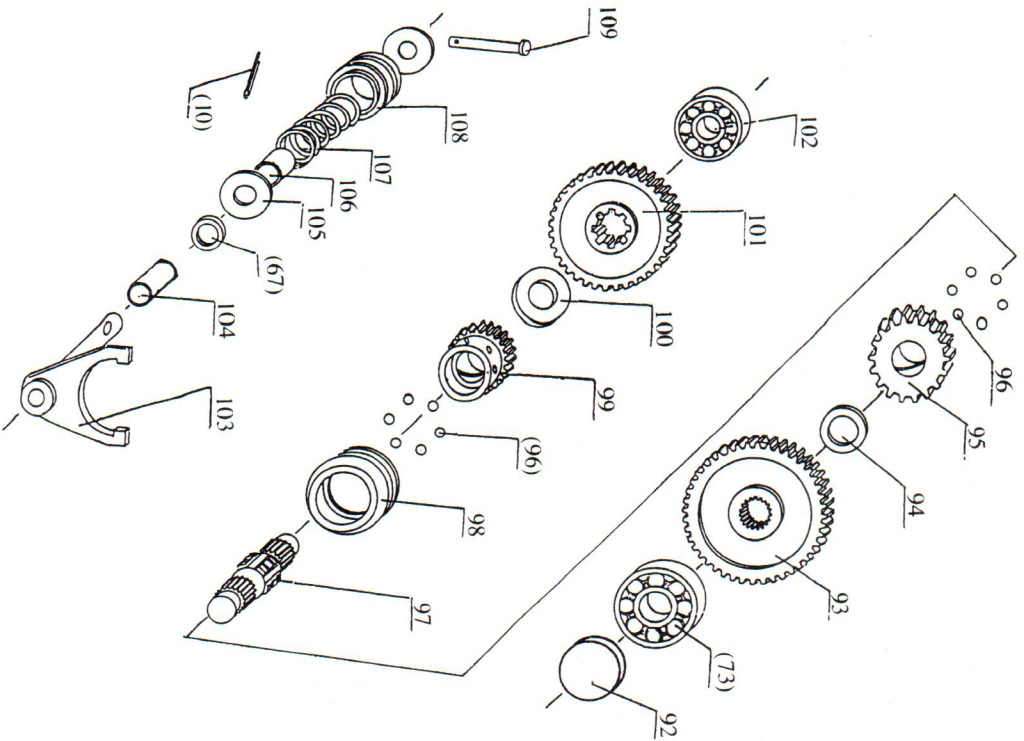


8. Unit of housing returning apparatus (6.40.001)

8. Unit of housing returning apparatus (6.40.001)

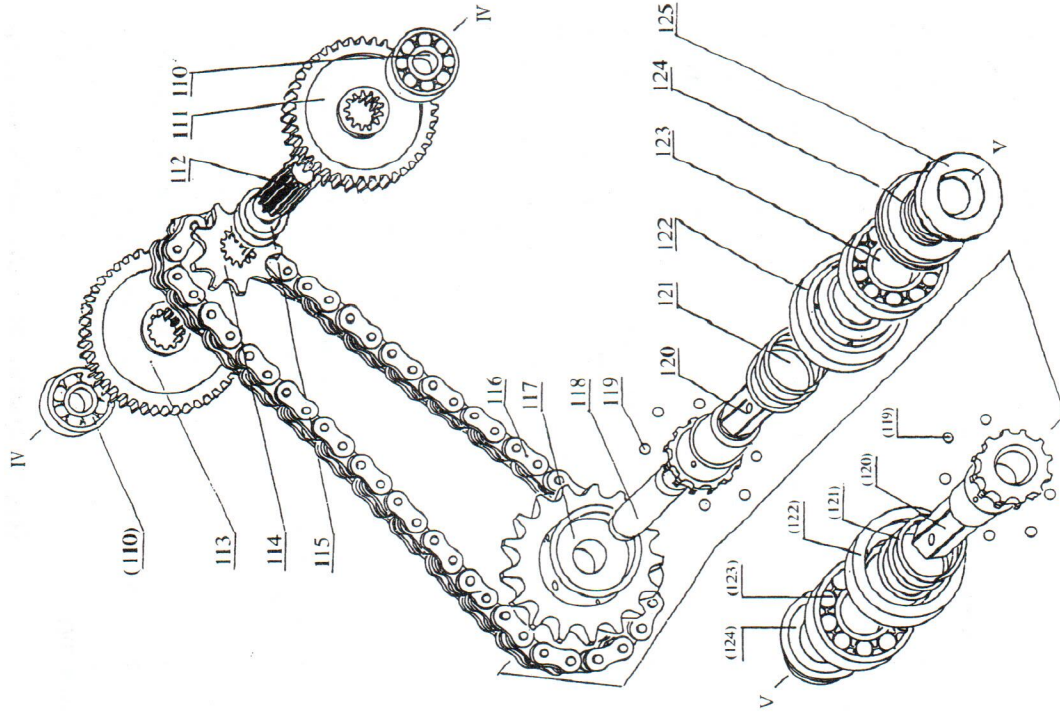
No.	Code	Name	Quantity
1	GB5282-85	Tapping screw ST4 × 8-C-H	2
2	6.40.011-02	Welded parts of limit frame for main shift	1
3	6.40.011-101	Seat of retainer	1
4	6.40.011-102	Indicating brand of shift	1
5	GB62-88	butler nut M5	1
6	GB97.1-85	Washer 5	1
7	6.40.011-03	Adhesive parts of limit block for rotary cultivation	1
8	GB5787-86	Hexagram bolt M8 × 12	2
9	GB5782-86	Bolt M10 × 135	2
10	GB97.1-85	Washer 10	2
11	GB5282-85	Tapping screw ST5 × 9-C-H	2
12	GB93-87	Washer 5	2
13	6.40.011-108	Fasten plate	1
14	6.40.011-103	Buffer sheath φ10 × 1	1
15	6.40.011-05	Welded parts of operation lever	1
16	6.40.016-102	Sheath of handle	1
17	6.40.011-01	Welded parts of case	1
18	GB5783-86	Bolt M 8 × 16	2
19	GB93-87	Washer 8	2
20	GB97.1-85	Washer 8	2
21	6.40.011-104	Fixed plate for air filter	1
22	6.40.011-04	Welded parts of fixed frame	1
23	6.40.011-105	Adjusting parts (1 set)	5

According to needs



7. Unit of gearbox (6.37.001)

No.	Code	Name	Quantity
110	GB/T276-94	Rolling bearing 6304	2
111	6-37.121	Passive gear of quick gear in auxiliary shift	1
112	6-37.118	4th shaft	1
113	6-37.124	Passive gear of slow gear in auxiliary shift	1
114	6-37.120	Active chain wheel	1
115	6-37.119	washer	1
116	6-37.016	Assemble of 19.05 agricultural reinforced chain	1
117	6-37.126	Passive gear	1
118	6-37.133	Core shaft	1
119	GB308-84	Steel ball 8 II	14
120	6-37.129	Semi-shaft	2
121	6-37.128	Turning spring	2
122	6-37.127	Turning shift disk	2
123	GB/T276-94	Rolling bearing 6207	2
124	6-37.017	Assemble of bone rubber oil seal	2
125	6-37.014	Assemble of ferrule	2



7. Unit of gearbox (6.37.001)